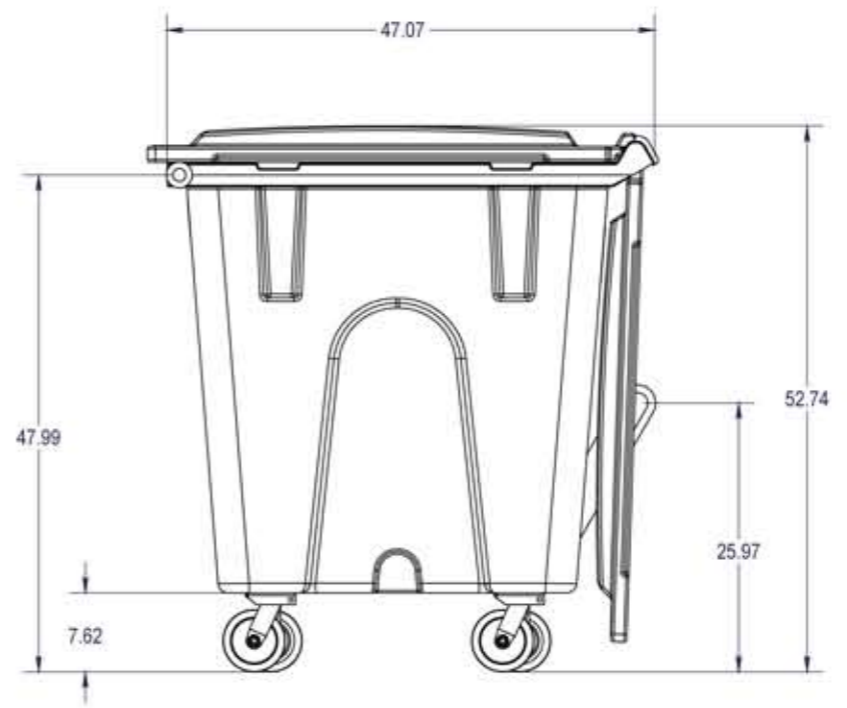
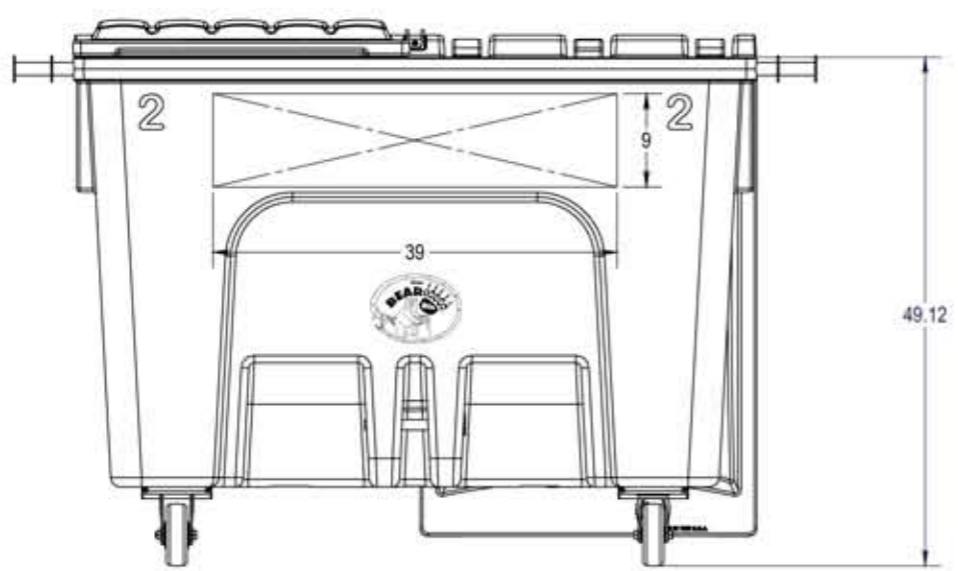
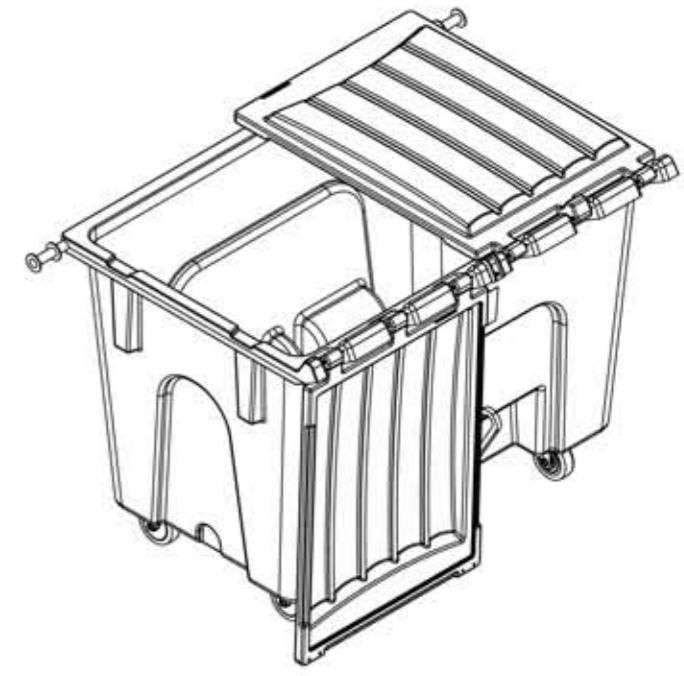
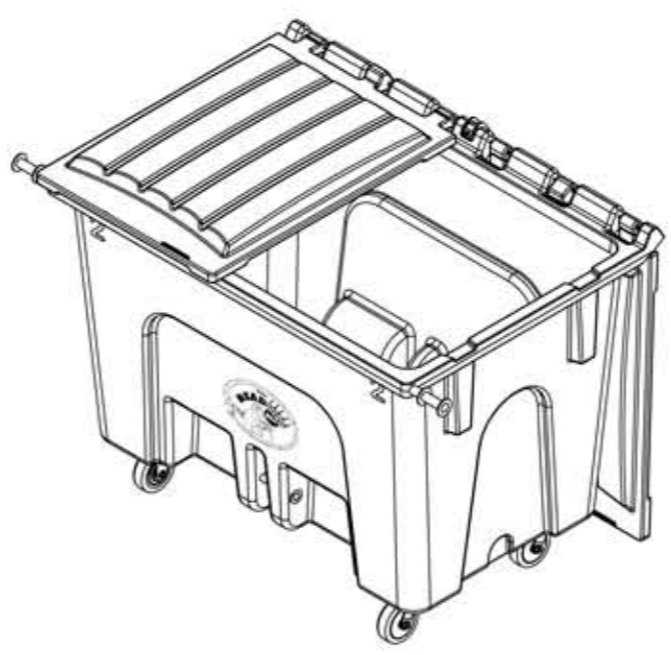
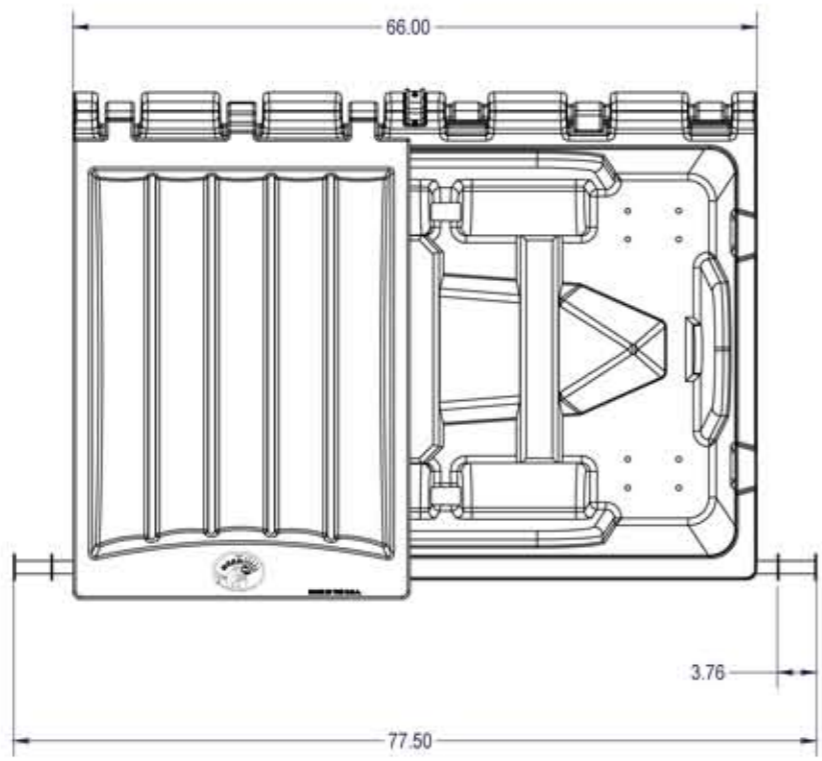


4

3

2

1



**SPECS:**  
**APPROXIMATE VOLUME 1.8 CUBIC YARDS**  
**APPROXIMATE WEIGHT 230 LBS. (WITH CASTERS AND LIDS)**  
**LOAD CAPACITY 1500 LBS.**  
**TRUCK QTY. 65**

**PROPRIETARY AND CONFIDENTIAL**  
 THE INFORMATION CONTAINED IN THIS DRAWING IS THE SOLE PROPERTY OF BEARICUDA INC.

UNLESS OTHERWISE SPECIFIED:		NAME	DATE
DRAWN			
CHECKED			
ENG. APPR.			
MFG. APPR.			
Q.A.			
COMMENTS			
DIMENSIONS ARE IN INCHES			
FRACTIONALS			
ANGULAR: BA CHG	BEND ±		
TWO PLACE DECIMAL			
THREE PLACE DECIMAL			
INTERVIEW GEOMETRIC			
TOLERANCING PER:			
MATERIAL			
FINISH			
NEXT ASSY	USED ON		
APPLICATION	DO NOT SCALE DRAWING		

<b>BEARICUDA INC.</b>		
TITLE:		
<b>CART126</b>		
SIZE	DWG. NO.	REV
<b>C</b>	2 YD RL-03F Sales Drawing	<b>G</b>
SCALE: 1:24	WEIGHT:	SHEET 1 OF 1

4

3

2

1