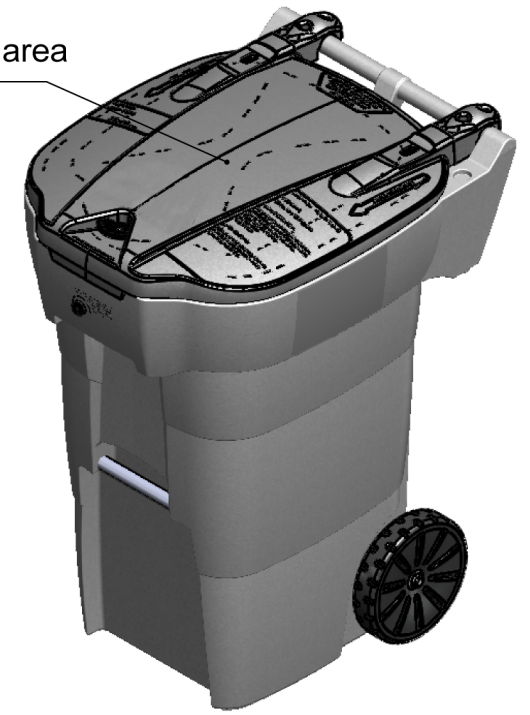
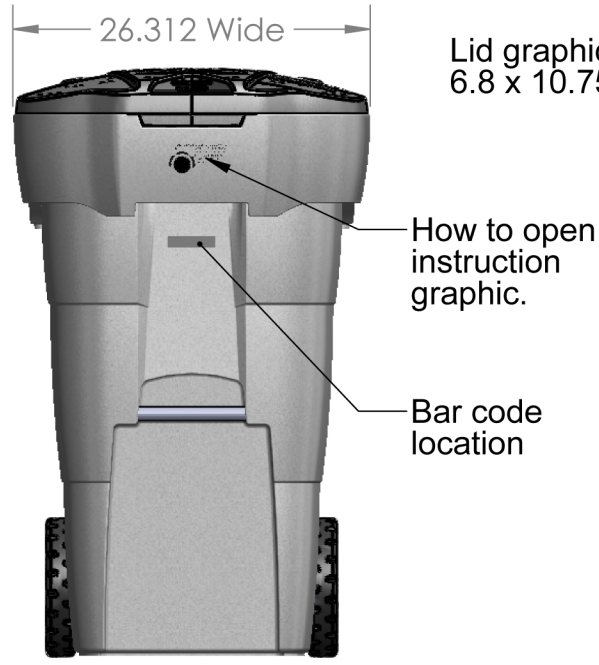
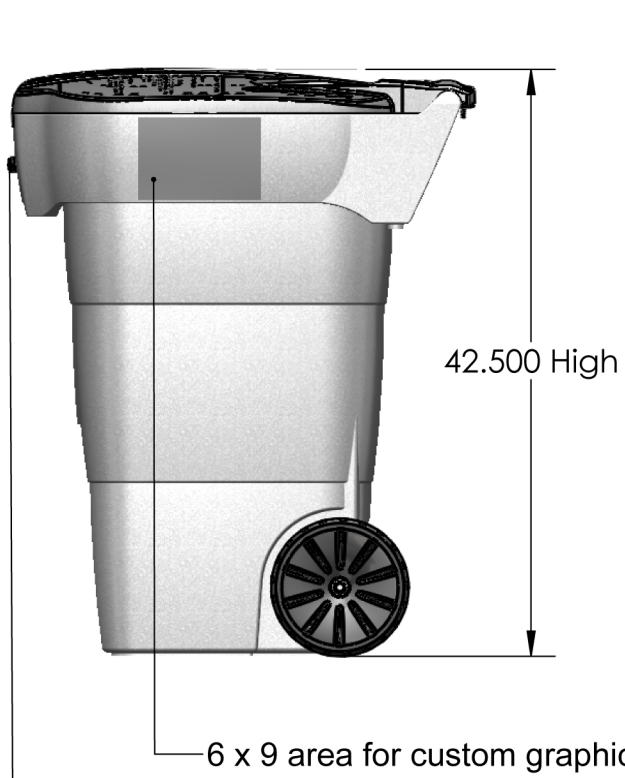
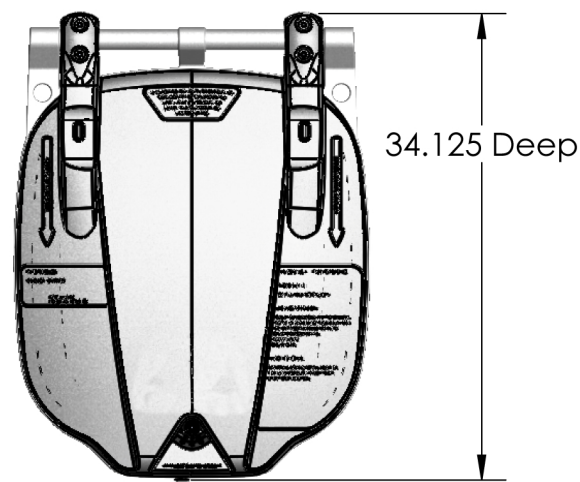


Fully automated bear resistant container. Tested with Grizzly bears.

Bearicuda Part #: STL465



Only one hand needed to open latch and lift the lid.



The upper section of the container is double walled as is the entire lid for superior strength.

Weight for the complete assembly is 46 pounds with both the container and lid being rotationally molded for long lasting durability.

The 2" x 10" wheels are rotationally molded and mounted to a 3/4" zinc chromate plated solid steel axle and will withstand 200 lbs. each.

IGBC Certification number
5142

65 gallon nesting ratio = 8