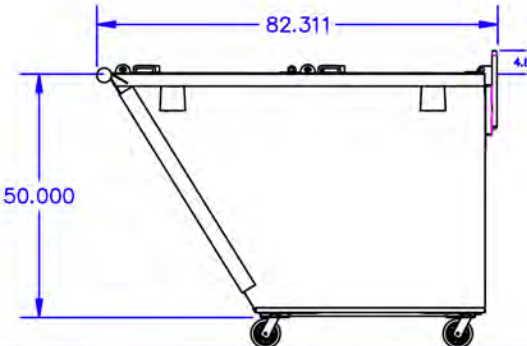
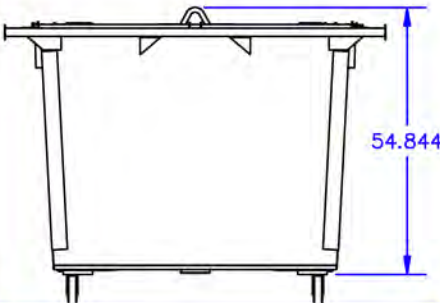
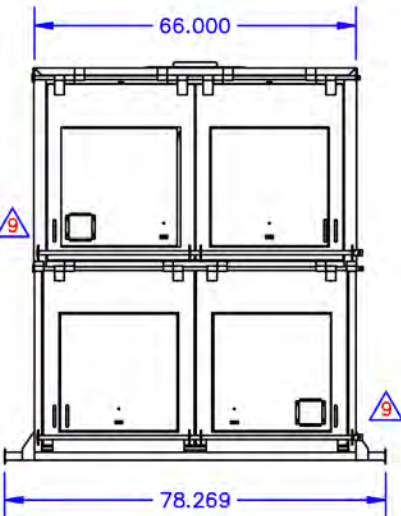
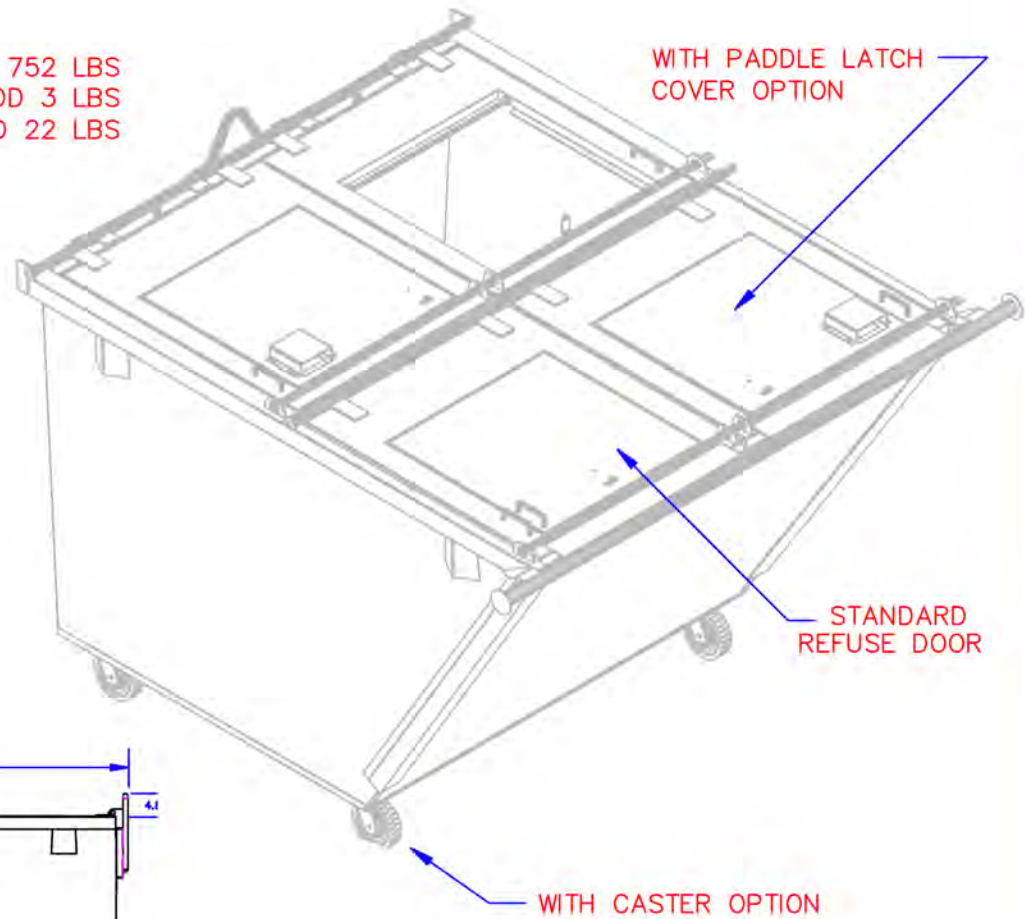


NOTES: UNLESS OTHERWISE SPECIFIED

1. 14 GA HRS BODY PANELS (1" DRAIN HOLE @ BACK [OPTIONAL])
2. 10 GA HRS SKIDS, CASTER PLATES & BRKTS
3. 1" Ø HRS ROUND BAR DUMP HOOK
4. 1-1/2" x 2-1/2" x 14 GA. HRS RECT TUBE TRIM
5. 1-1/4" SCH 40 BLACK PIPE DUMP BAR
6. 1/2" Ø HRS ROUND BAR HINGE-PIN
7. PRE-MOLDED PVC LIDS
8. POWDER COAT PER CUSTOMER SPECIFICATIONS
9. WEIGHT SPECIFICATIONS (FLIP BACK BEAR PROOF LIDS)= 752 LBS
ADD 3 LBS
10. WITH PADDLE LATCH COVER OPTION
ADD 22 LBS
11. WITH CASTER OPTION



DMP104RL

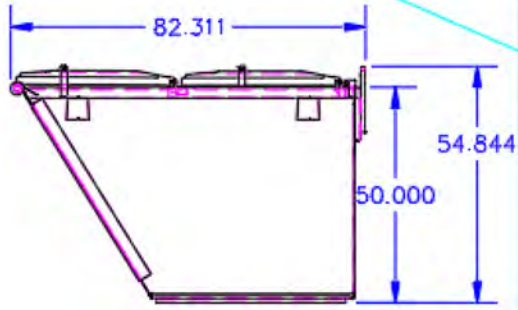
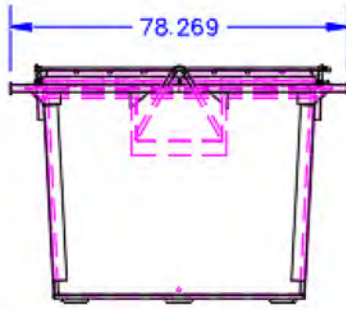
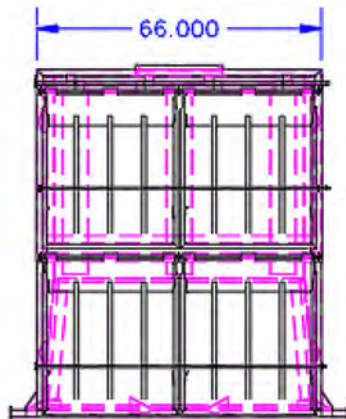
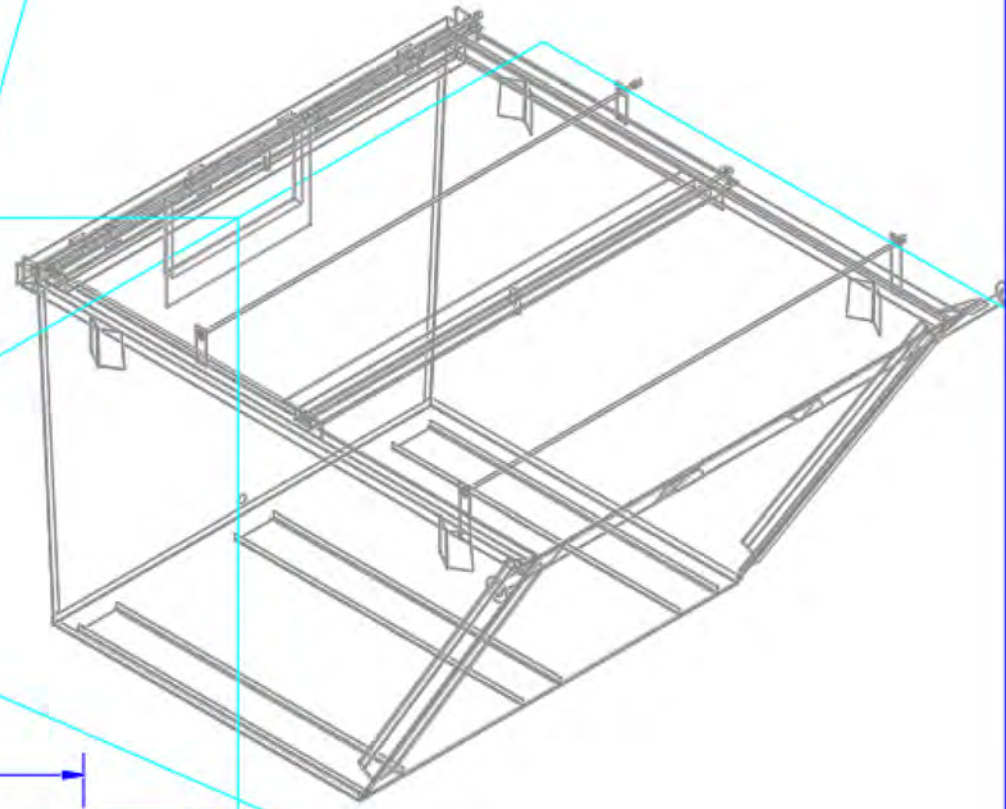


NOTES: UNLESS OTHERWISE SPECIFIED

1. 14 GA HRS BODY PANELS (1" DRAIN HOLE @ BACK [OPTIONAL])
2. 10 GA HRS SKIDS, CASTER PLATES & BRKTS
3. 1" ϕ HRS ROUND BAR DUMP HOOK
4. 1-1/2" x 2-1/2" x 14 GA. HRS RECT TUBE TRIM
5. 1-1/4" SCH 40 BLACK PIPE DUMP BAR
6. 1/2" ϕ HRS ROUND BAR HINGE-PIN
7. PRE-MOLDED PVC LIDS
8. POWDER COAT PER CUSTOMER SPECIFICATIONS
9. WEIGHT SPECIFICATIONS = 584 LBS
- 10 WITH CASTER OPTION ADD 22 LBS
- 11 WITH LOCK BAR OPTION ADD 9 LBS
- 12 WITH QUICK RELEASE CASTER OPTION ADD 23 LBS



4 CU YD Rearload Dumpster with lockbar - DMP104RL



ARD

DMP104RL

