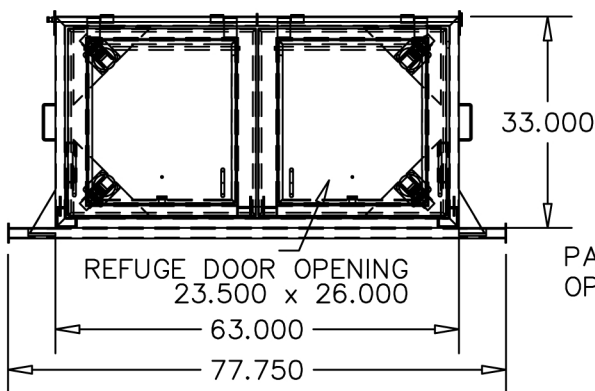
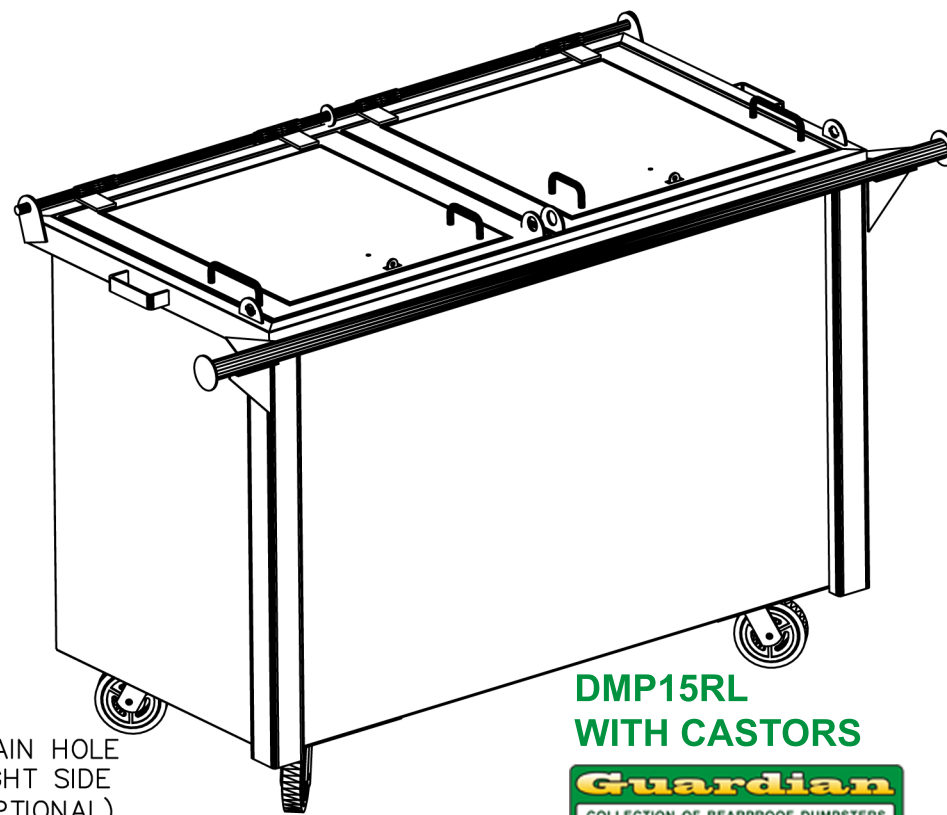
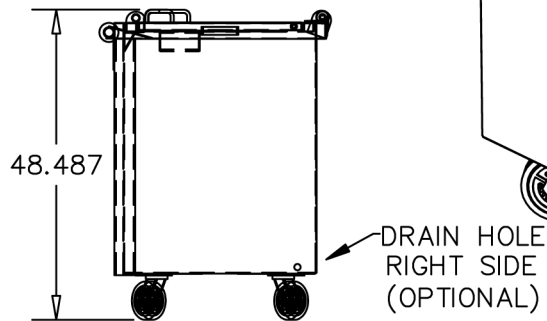
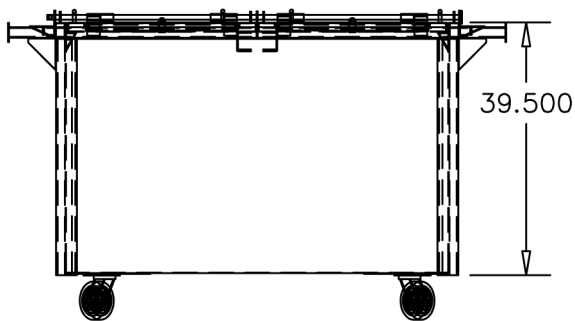


NOTES: UNLESS OTHERWISE SPECIFIED

1. 14 GA HRS BODY & SIDE PANELS W/ 1" DRAIN HOLE @ RIGHT SIDE (OPTIONAL), X-REF LID STOP-90, X-REF LID STOP GUSSET-90, DUMP DOOR, & REFUGE DOOR
2. 10 GA HRS X-REF DOOR FRAME 25.500 x 1.250 x 23.000, X-REF DOOR FRAME BRACE 25.500 x 1.250 x 23.000, X-REF 1.000 x 2.237 HASP, WASHER, HINGE PIN, X-REF PADDLE LATCH CATCH 1.425 (OPT), X-REF PADDLE LATCH COVER (OPT), CORNER POST, X-REF DUMP BAR SUPPORT LEFT, X-REF DUMP BAR SUPPORT RIGHT, X-REF DUMP BAR BRACE, X-REF DUMP BAR END CAP, X-REF CASTER PLATE, X-REF CASTER PLATE QUICK RELEASE (OPT), X-REF QUICK RELEASE BRACKET (OPT), X-REF CHAIN GUARD HANDLE (OPT), & X-REF STIFFENER, CHAIN GUARD (OPT)
3. 3/16" HRS HINGE CENTER, HINGE END, X-REF SHORT LOCKBAR MOUNT & X-REF SHORT LOCKBAR MOUNT OUTER
4. $\phi 1/2$ " ROUND BAR X-REF DOOR HINGE PIN 25.500 x 1.250 x 23.000, X-REF .500 x 2.000 x 4.500 HANDLE & HANDLE DUMP DOOR
5. 1/4" HRS X-REF HINGE WASHER, HINGE PLATE & CORNER POST W/O DB (OPT)
6. 3/4" ϕ HRS ROUND BAR DUMP DOOR HINGE PIN & X-REF ROUND HANDLE 3.000 x 8.000 (OPT)
7. $\phi 3/4$ " SCH 10 PIPE X-REF HINGE BARREL
8. 1-1/2" x 2-1/2" x 14 GA. HRS RECT TUBE RAIL, FRONT/BACK & RAIL, SIDE
9. 1/4" FLATBAR X-REF FLAT HANDLE 2.000 x 5.750
10. 1-1/4 SCH 40 BLACK PIPE DUMP BAR
11. WEIGHT SPECIFICATIONS FOR UNIT TOTAL = 384 LBS



PADDLE LATCH DOOR & COVER
OPTIONAL (NOT SHOWN)



BEARICUDA BINS | PO BOX 56, 3 WEST STREET, SUITE 3E| LITCHFIELD, CT 06759-0056
877-BEARICUDA (232-7428) | WWW.BEARICUDA.COM

