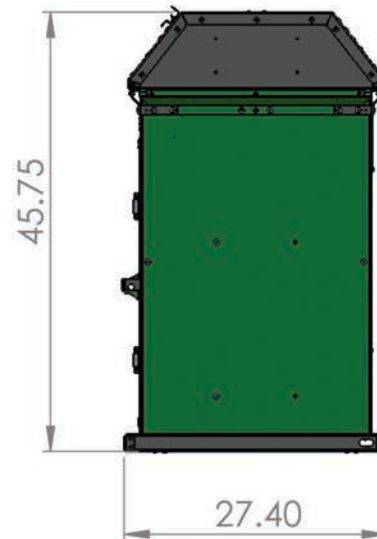
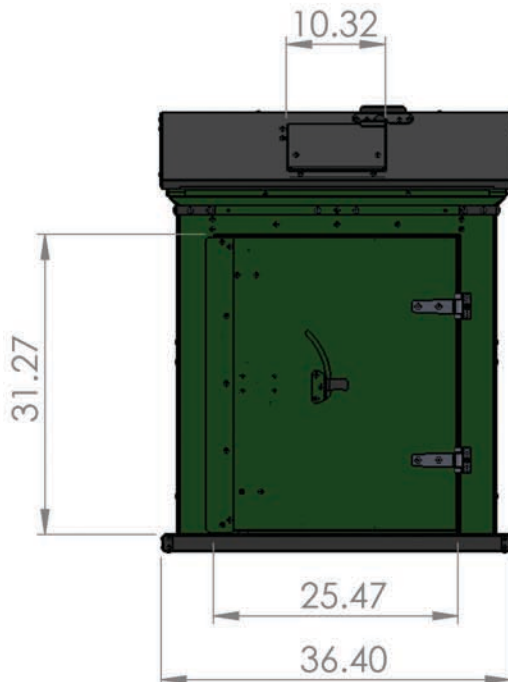
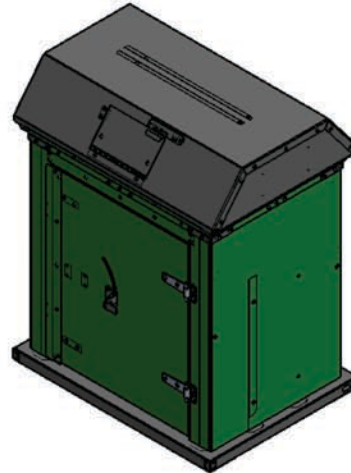
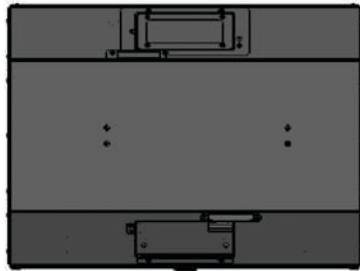


# Product Specifications

Description: **RAZORBACK ENCLOSURES**  
Part #/Model #: **ENC903**

**Bearicuda Bins**  
Bearicuda Bins | PO Box 56, 3 West  
Street, Suite 3E | Litchfield, CT  
06759-0056 | 877-BEARICUDA (232-7428)  
[www.bearicuda.com](http://www.bearicuda.com)



## **MATERIAL:**

- 16GA, 14GA AND 12GA RUST PREVENTATIVE GALVANIZED STEEL
- 2 STAINLESS STEEL BARN DOOR HINGES FOR FREE SWINGING DOORS
- ONE 10" STAINLESS STEEL PIANO HINGE FOR FREE SWINGING CHUTE

## **FEATURES:**

- 10" x 6" MAILBOX DOOR CHUTE FOR CONTROLLED WASTE AND SELF LOCKING LATCH
- FRONT ACCESS DOOR FOR EASY ACCESS AND WASTE BAG REMOVAL
- FRONT DOOR LATCHING MECHANISM WITH LOCKING OPTION
- REAR ACCESS PLATE FOR EASY CLEANING

## **FINISH**

- POLYESTER POWDER COAT FINISH

## **WEIGHT**

- 188.2LBS

Revision 0

Date 07/25/2017

