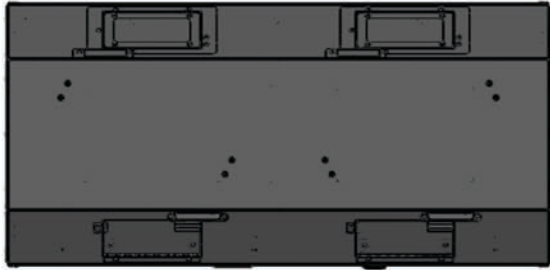


# Product Specifications

Description: **RAZORBACK ENCLOSURES**  
Part #/Model #: **ENC904**

**Bearicuda Bins**  
Bearicuda Bins | PO Box 56, 3 West  
Street, Suite 3E | Litchfield, CT  
06759-0056 | 877-BEARICUDA (232-7428)  
[www.bearicuda.com](http://www.bearicuda.com)



## MATERIAL:

- 16GA, 14GA AND 12GA RUST PREVENTATIVE GALVANIZED STEEL
- 4 STAINLESS STEEL BARN DOOR HINGES FOR FREE SWINGING DOORS
- TWO 10" STAINLESS STEEL PIANO HINGES FOR FREE SWINGING CHUTES

## FEATURES:

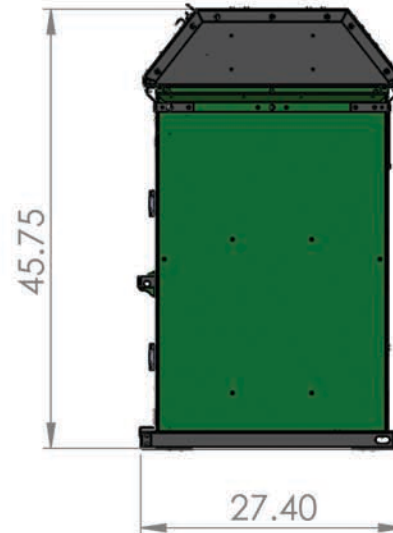
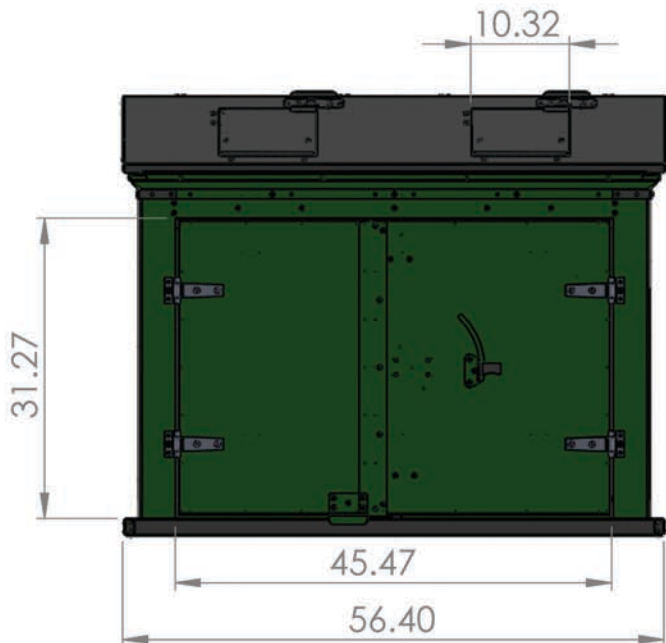
- 10" x 6" MAILBOX DOOR CHUTE FOR CONTROLLED WASTE AND SELF LOCKING LATCH
- FRONT ACCESS DOORS FOR EASY ACCESS AND WASTE BAG REMOVAL
- FRONT DOOR LATCHING MECHANISM WITH LOCKING OPTION
- 2 REAR ACCESS PLATES FOR EASY CLEANING

## FINISH

- POLYESTER POWDER COAT FINISH

## WEIGHT

- 271.15LBS



Revision 0

Date 07/25/2017

