



Model ENC920 Bear Resistant Trash Receptacle



Model ENC920

Bear Proof Trash Receptacle with Brown textured powder coat finish.

- **12 ga., 14 ga., and 7 ga. steel construction**
- **Tight fitting front door and lid, covered lid latch, designed to prevent bears from getting inside**
- **Reinforced door on full-length hinge**
- **Lid and door are self-latching**
- **Includes rigid plastic liner, decal, and anchor kit**

SPECIFICATIONS:

Silverback Series bear resistant trash receptacle is designed and tested to keep bears out of your trash.

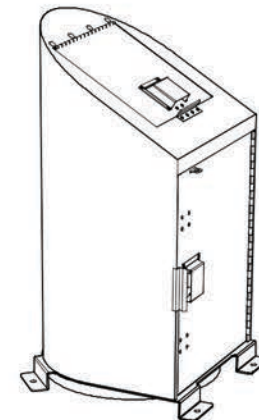
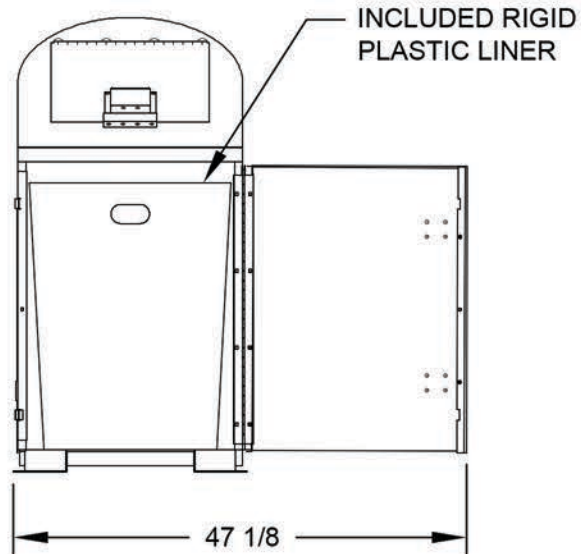
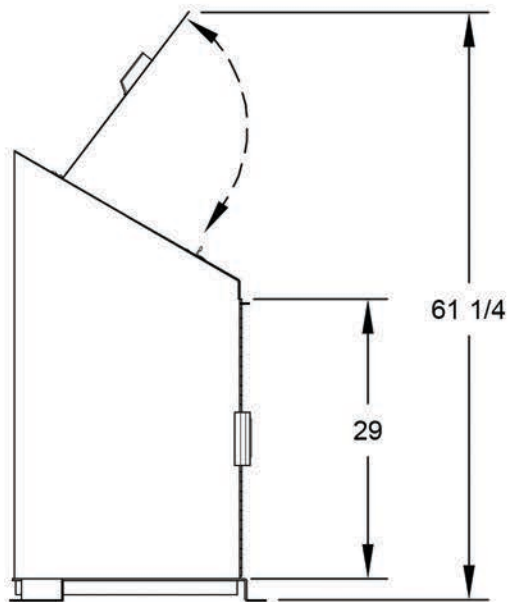
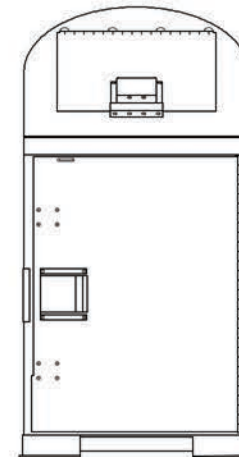
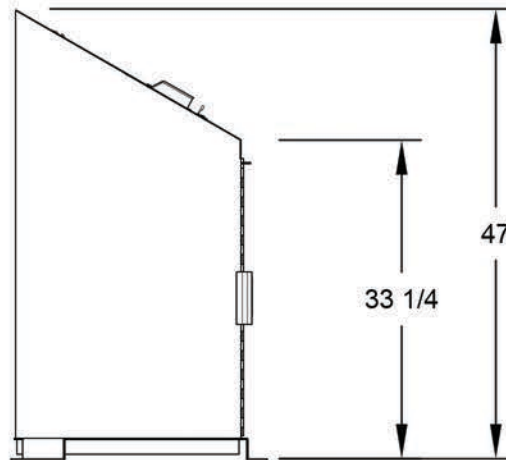
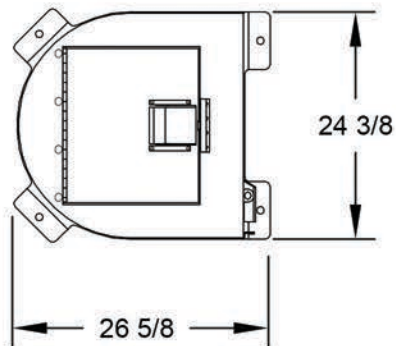
- The receptacle features a tightly fitted, self-latching lid for depositing trash, and a tightly fitted front access door for removing the trash liner.
- Overall dimension of the receptacle when closed: 47" tall, 24-3/8" wide, and 26-5/8" deep. Receptacle meets ADA guidelines for forward and side reach.
- The body of the receptacle is a welded construction of 12 and 14 ga. formed steel, reinforced with 7 ga. rib supports, welded to a 7 ga. base with four 25/32" dia holes for anchors. Anchor kit #ANC5-4 (four 1/2" x 5" concrete screw anchors) is included. Receptacle must be anchored to hard surface to be considered "Bear Proof".
- Top is sloped for easy access to the 16" square hatch opening. The hatch is secured by a hinge and a self-closing commercial duty latch, mounted under a formed steel guard designed to fit human hands, not bear paws. To release the latch, the hand must reach under the guard. Access for bears is also blocked by a raised obstacle built into the top of the receptacle.
- The access door on the front of the receptacle is 29" tall x 21-7/16" wide to allow easy access to a 36 gal. rigid plastic liner (included). Door is 12 ga. steel reinforced with 3/4 x 3/4 x 1/8 angle and mounted on a full length continuous hinge. A self-closing latch secures the door at the top and bottom.
- Entire unit is finished in textured brown powder coat paint.
- Trash decal is included.
- A 36 gallon rigid plastic liner is included.
- **Optional:** Choices of colors of textured powder coat finish. Available in green, black, or blue.
- Our bear resistant trash and recycling receptacles have been successfully tested by the Living With Wildlife Foundation (LWWF) and the Grizzly and Wolf Discovery Center (GWDC) using the Interagency Grizzly Bear Committee (IGBC) protocol.

AVAILABLE OPTIONS

Choice of colors of textured powder coat finish

Bearicuda Bins

Bearicuda Bins | PO Box 56, 3 West Street, Suite 3E | Litchfield, CT 06759-0056 | 877-BEARICUDA (232-7428) | www.bearicuda.com
Bearicuda is a registered trademark of Bearicuda Bins | © 2012, Bearicuda Bins All rights reserved.



ALL DIMENSIONS IN INCHES

Bearicuda Bins

Bearicuda Bins | PO Box 56, 3 West Street, Suite 3E
Litchfield, CT 06759-0056

DRAWN BY
MFI

TITLE

MODEL ENC920 BEAR PROOF TRASH RECEPTACLE WITH INCLUDED RIGID PLASTIC LINER

DATE 3-29-16

DWG. NO. **AI-1863**