



# Model ENC921 And ENC922 Multiple Module Bear Resistant Trash and Recycling Receptacle



Model ENC922  
Three Module  
Bear Proof Trash  
Receptacle with green  
textured powder coat  
finish.



Model ENC921  
Two Module Bear Proof  
Trash Receptacle with blue  
power coat finish.

- **12 ga., 14 ga., and 7 ga. steel construction**
- **Tight fitting doors and lids, covered lid and door latches designed to prevent bears from getting inside**
- **Reinforced doors on full-length hinge**
- **Lids and door are self-latching**
- **Includes rigid plastic liners and anchor kit**
- **Optional recycling insert plates**

## AVAILABLE OPTIONS

Choice of colors of textured powder coat finish  
Recycling insert plate with choice of three sizes of hole

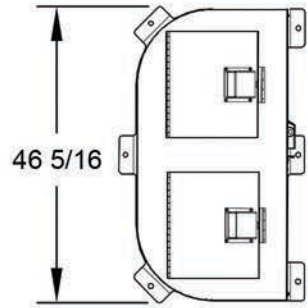
## SPECIFICATIONS:

SilverBack Series bear resistant trash receptacle is designed and tested to keep bears out of your trash and recyclables

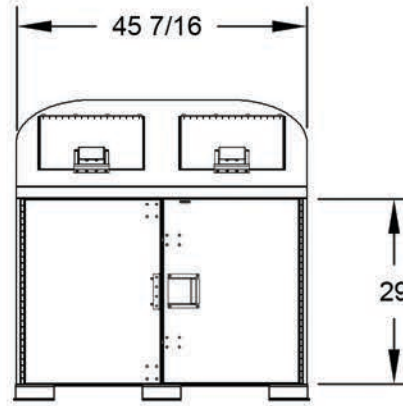
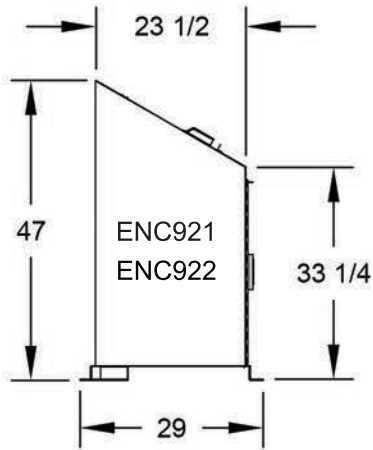
- Model ENC921 has two hatches and two front doors and holds two included 36 gallon rigid liners. Dimensions: 46-5/16" wide, 47" tall, 29" deep.
- Model ENC922 has three hatches and two front doors and holds three included 36 gallon rigid liners. Dimensions: 68-5/16" wide, 47 tall, 29" deep.
- Receptacle meets ADA guidelines for forward and side reach.
- The receptacle features tightly fitted, self-closing hatches for depositing trash, and front access doors for removing the liners.
- Welded construction of 12 and 14 ga. formed steel shell reinforced with 1" x 1"x 18 ga. wall square tubing supports, welded to a 7 ga. base with six 25/32" dia holes for anchors. Anchor kit #ANC5-6 (six 1/2" x 5" concrete screw anchors) is included. Receptacle must be anchored to be considered "Bear Proof."
- Top is sloped for easy access to the 16" square hatch openings. The hatch is secured by a hinge and a self-closing commercial duty latch, mounted under a formed steel guard designed to fit human hands, not bear paws. Access for bears is also blocked by a raised obstacle built into the top of the receptacle.
- The front doors are 29" tall x 44" combined width for easy access to liners. Doors are 12 ga. steel mounted on a full length continuous hinge. Two self-closing latches secure each door at the top and bottom. A total of four latch points keep doors secure.
- Entire unit is finished in textured Brown powder coat paint.
- 36 gallon rigid plastic liners for each module are included.
- Trash or recycling decals are included, green on white vinyl self-adhesive, choice of design. Please specify when ordering.
- **Optional:** Choices of colors of textured powder coat finish. Available in green, black, or blue.
- **Optional:** Recycling insert plates finished in black powder coat. Available sizes are:
  - Plate101 3" Dia. hole.
  - Plate102 4-3/8" Dia. hole.
  - Plate103 5-7/8" Dia. hole.
- Our Bear Proof Trash and Recycling Receptacles have been successfully tested by the Living With Wildlife Foundation (LWWF) and the Grizzly and Wolf Discovery Center (GWDC) using the Interagency Grizzly Bear Committee (IGBC) protocol.

## Bearicuda Bins

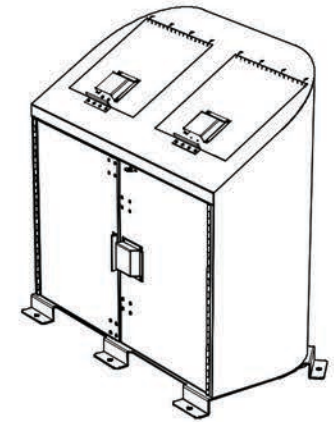
Bearicuda Bins | PO Box 56, 3 West Street, Suite 3E | Litchfield, CT 06759-0056 | 877-BEARICUDA (232-7428) | www.bearicuda.com  
Bearicuda is a registered trademark of Bearicuda Bins | © 2012, Bearicuda Bins All rights reserved.



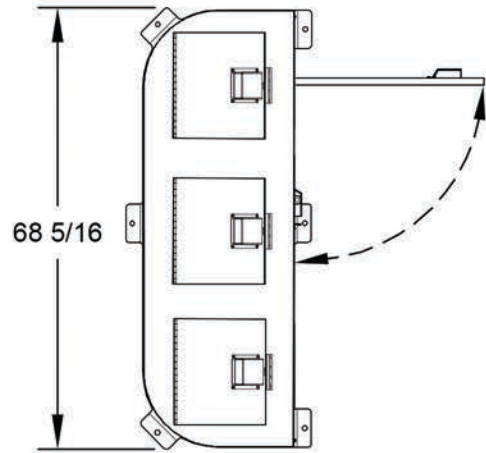
ENC921



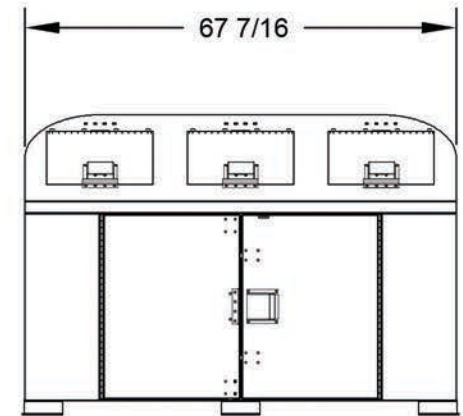
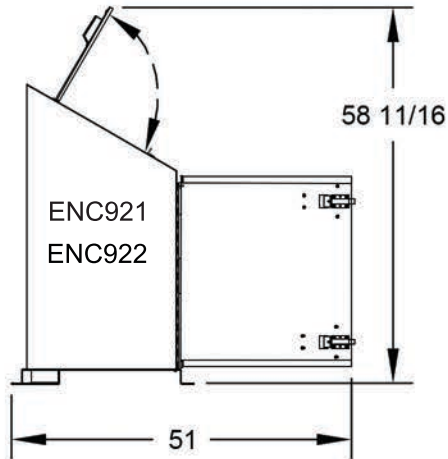
ENC921



ENC921



ENC922



ENC922

ALL DIMENSIONS IN INCHES

**Bearicuda Bins**

PO Box 56, 3 West Street, Suite 3E  
Litchfield, CT 06759-0056

DRAWN BY  
**MFI**

TITLE

MODELS ENC921 AND 922 BEAR PROOF TRASH RECEPTACLES  
SHOWN WITH INCLUDED RIGID PLASTIC LINERS

DATE 3-29-16

DWG. NO. **AI-2014**