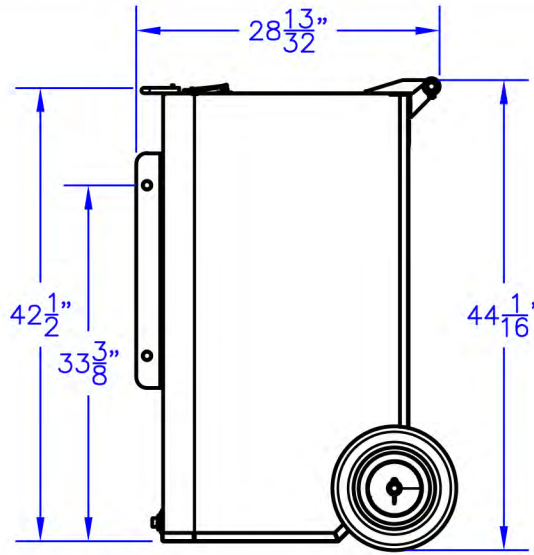


FRONT VIEW



RIGHT VIEW

95 Gallon Bear Proof Roll-Away Cart

Heavy duty 95 gallon animal resistant receptacle designed for mobile, safe, secure and convenient waste disposal.

Features Include:

1. Locking Hasp with Latch Hook & Cable.
2. Paddle Latch with Safety Release & Cover.
3. Interior Bag Support Tray option.
4. Front Drain, Bottom Drain, or No Drain option.

Made in America with heavy duty components, hinges and high quality 14-gauge steel for the main Body and Lid.

Vibrant finish using industry leading UV and corrosion resistant, weather proof powder coat offered in the standard colors shown:



ISOMETRIC VIEW

TITAN
METAL ANIMAL PROOF TRASH BIN

FOREST GREEN



BLUE



GRAY



BURGUNDY



TAN

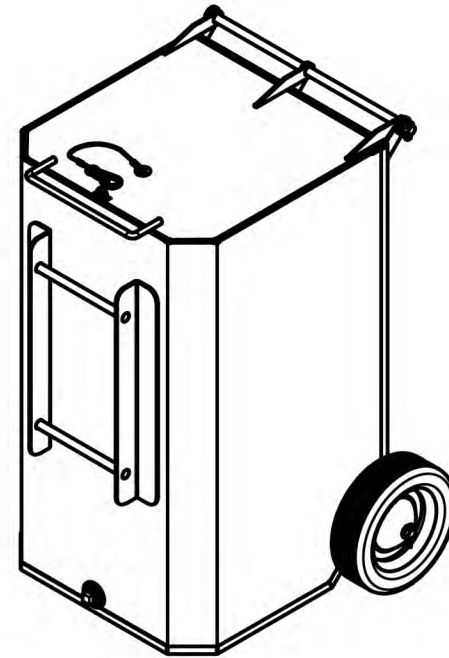
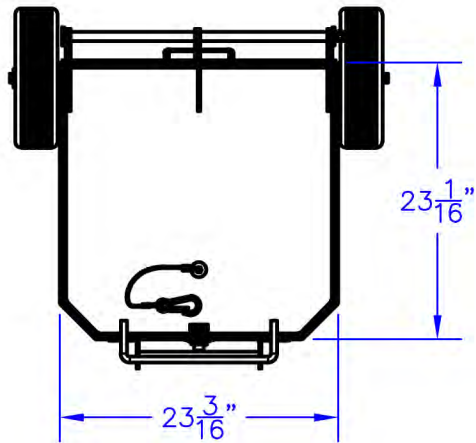


WHITE



BROWN





TITAN

METAL ANIMAL PROOF TRASH BIN

