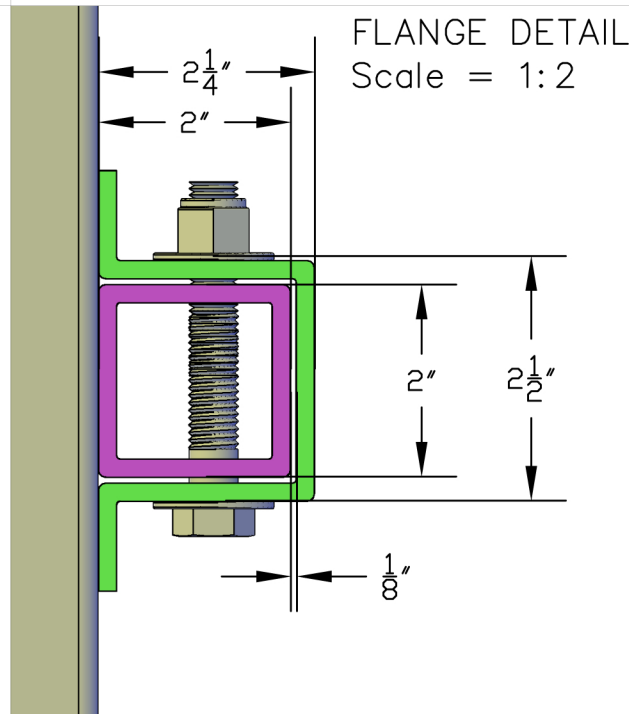
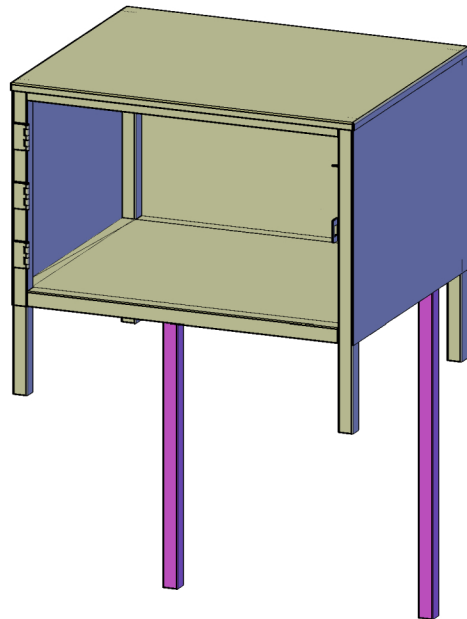


## Campsite Food Storage Locker

Heavy duty 30 cubic foot storage locker designed for safe, secure and convenient food storage in outdoor parks and recreation areas.

Designed to easily fit two large coolers with extra room for dry goods. An optional shelf can be included to add more organized storage. Components, layout and access are designed to be ADA friendly, easy and safe to operate.

Made in America with heavy duty components, hinges and high quality 14-gauge steel for the main Body with 12-gauge steel for the Top. Frame is fabricated using 2x2 14-gauge square tube.



### ADDITIONAL PARTS FOR 2 POLE MOUNTING

- (2) 2x2x3/16 SQUARE TUBE 76"
- (4) 2.25x2.50 FLANGES
- (4) HEX BOLT .50-13 x 3.75
- (4) NYLOCK NUT .50-13
- (8) WASHER .50 x 1.25

ALLOWS FOR 36" MOUNT DEPTH



**Pole Mount Option**

Bearcuda Inc. - PO Box 56, 3 West Street, Suite 3E Litchfield, CT 06759-0056  
877-232-7428 www.bearcuda.com