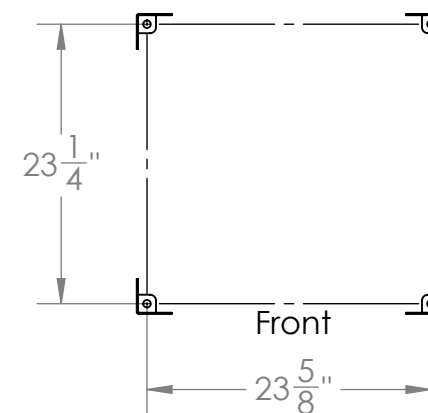
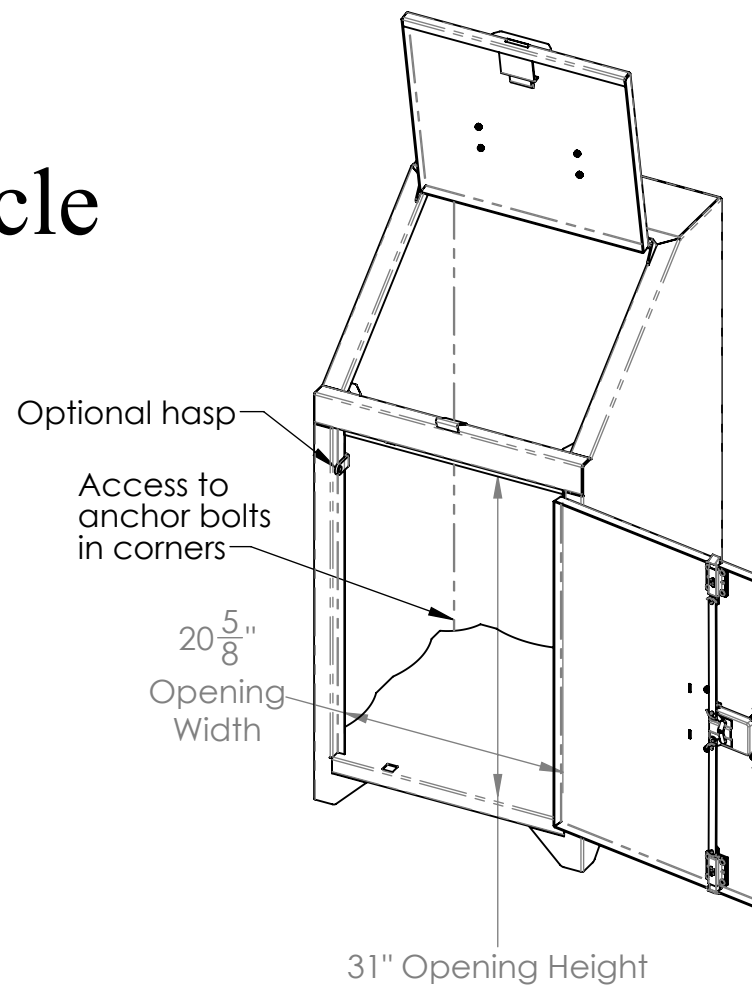
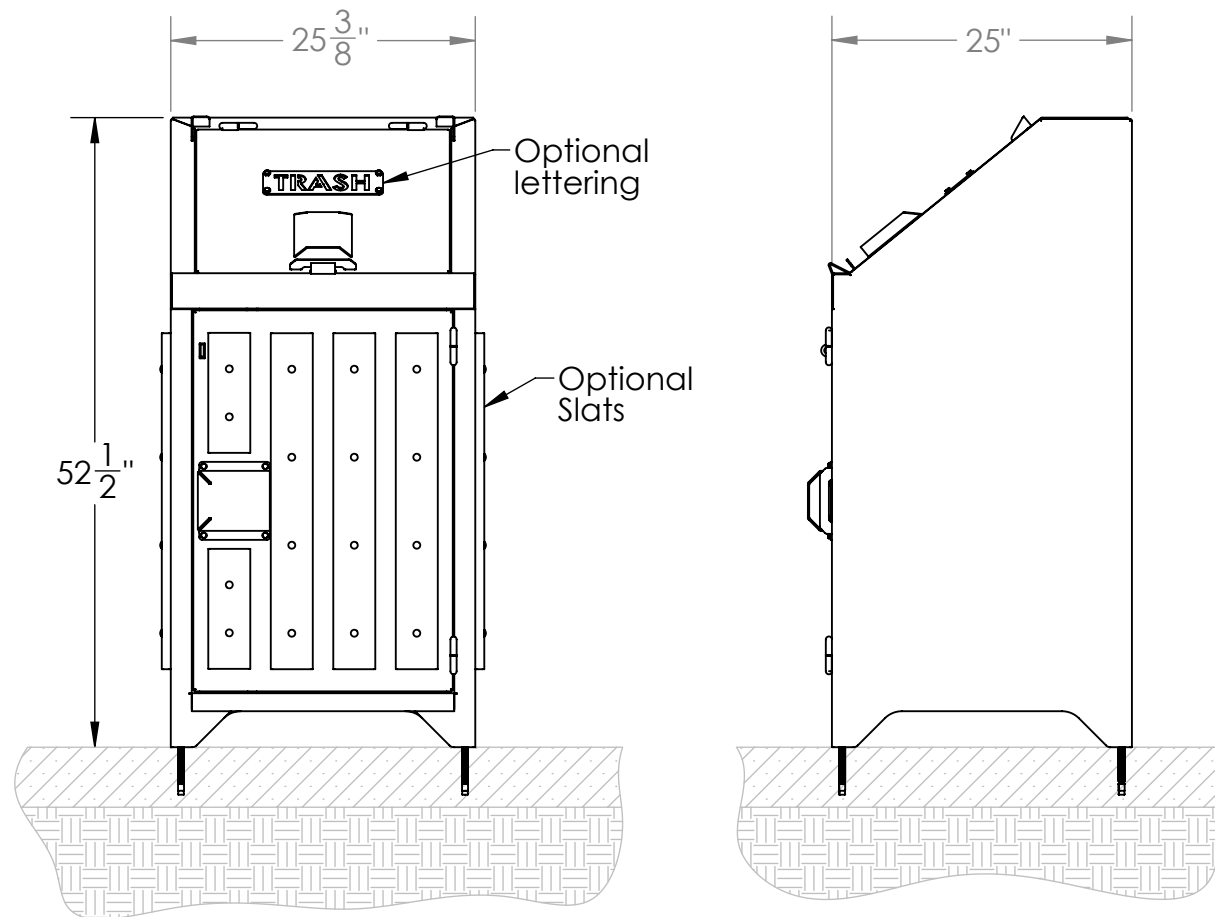


Bearicuda Telluride 32 Gallon Bear Proof Receptacle Product Information & Installation Instructions



Anchor Bolt Layout

The Bearicuda Telluride Receptacles are designed to enclose a 32 gallon round trash can (not included). The access door is equipped with a bear resistant paddle latch that locks into place when the door is released preventing the door from being left open. The unloading door for removing the trash is simple to use requiring little effort for trash removal.

The optional lettering available for the top door is: "TRASH" or "RECYCLE".

A custom, laser-cut logo is available for a nominal design fee.

An optional integral locking hasp is available.

Standard Colors: Black (BL), Blue (B), Brown (BR), Classic Grey (CG), Copper Vein (CV), Sierra Tan (ST), Medium Bronze (MB), Statuary Bronze (SB).

All Bearicuda products are made in America from no less than 70% recycled steel and are backed by a one year manufacturer warranty.

Installation Instructions

Four each 3/8" x 4" long wedge anchors, 3/8" flat washers, and 3/8" hex nuts are required for mounting.

1. Lay out the location of the anchor bolts in the desired location according to the dimensions shown.
2. Using a 3/8" diameter carbide drill bit, drill the four holes to any depth exceeding the desired embedment. A minimum depth of 3" is recommended.
3. Clean drill fines from hole.
4. Assemble washer and nut, leaving nut flush with end of the anchor to protect threads. Drive each anchor into a hole. Once the recommended depth of 3" is achieved, hand tighten the nut until the washer is flush to surface of the concrete.
5. Expand the anchor by tightening the nut 3-5 turns past the hand tight position, or to the specified torque requirement.
6. Remove the nuts and washers from the anchors.
7. Place the receptacle over the anchors and reinstall the washers and nuts. There are access holes in each corner of the bottom of the receptacle to accommodate tightening the nuts.



Bearicuda Inc.
3 West Street, Suite 3a
Litchfield, CT 06759
1-877-232-7428