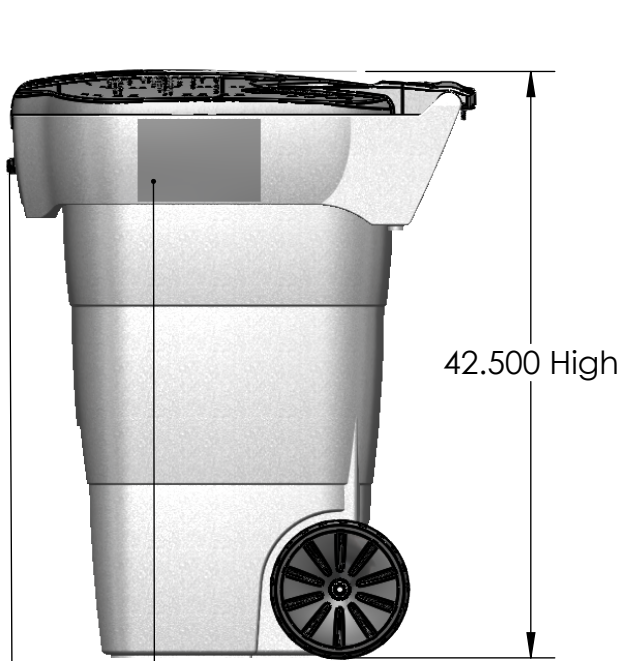


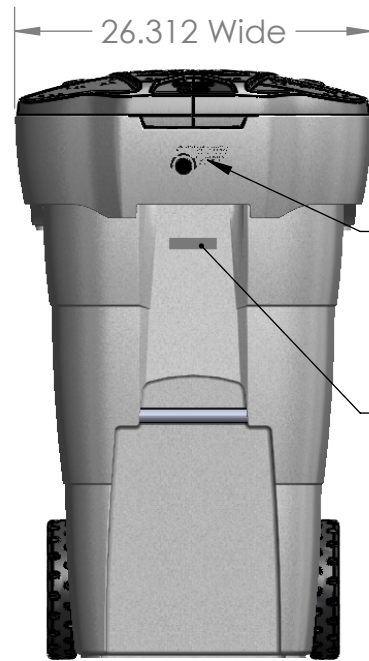
Fully automated bear resistant container. Tested with Grizzly bears.

Bearicuda Part #: STL465



6 x 9 area for custom graphic

Only one hand needed to open latch and lift the lid.

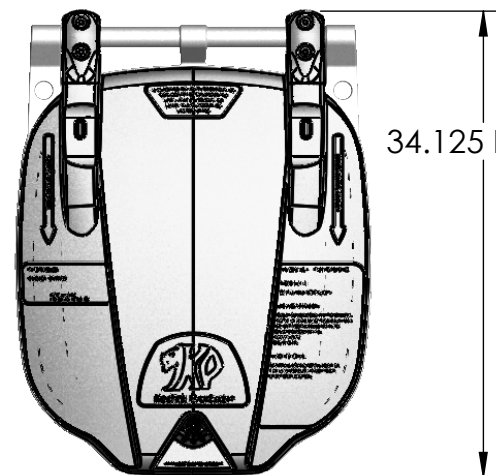
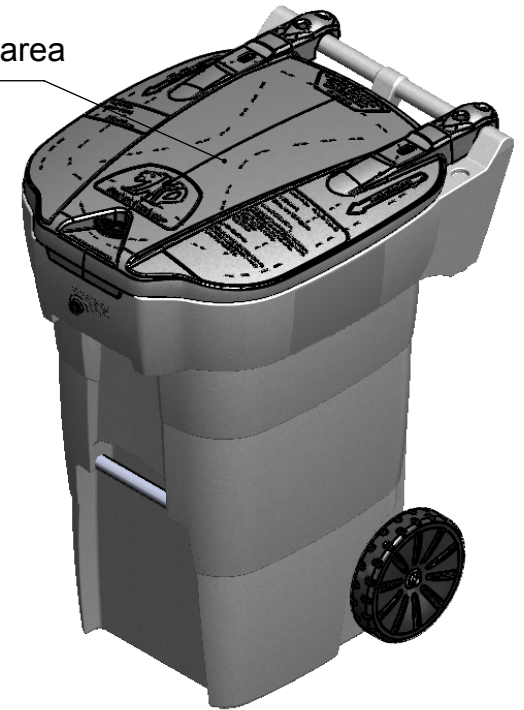


26.312 Wide

Lid graphic area
6.8 x 10.75

How to open
instruction
graphic.

Bar code
location



34.125 Deep

The upper section of the container is double walled as is the entire lid for superior strength.

Weight for the complete assembly is 46 pounds with both the container and lid being rotationally molded for long lasting durability.

The 2" x 10" wheels are rotationally molded and mounted to a 3/4" zinc chromate plated solid steel axle and will withstand 200 lbs. each.

65 gallon nesting ratio = 8

IGBC Certification number
5142