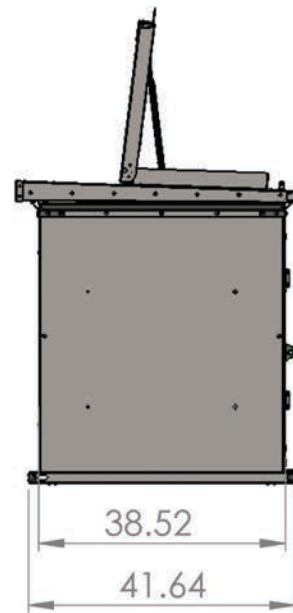
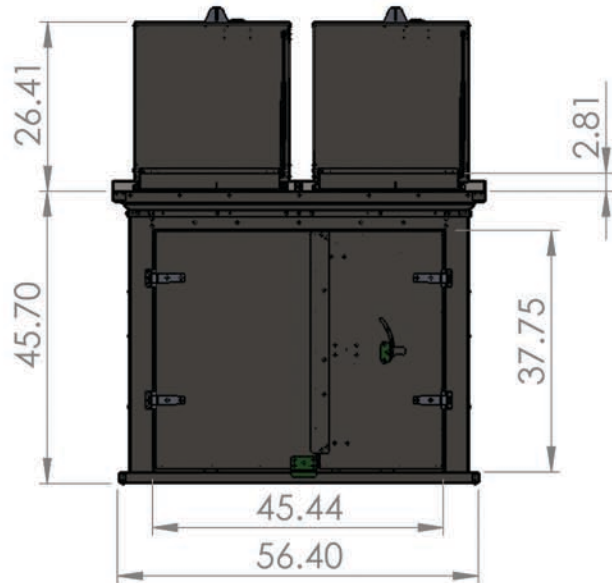
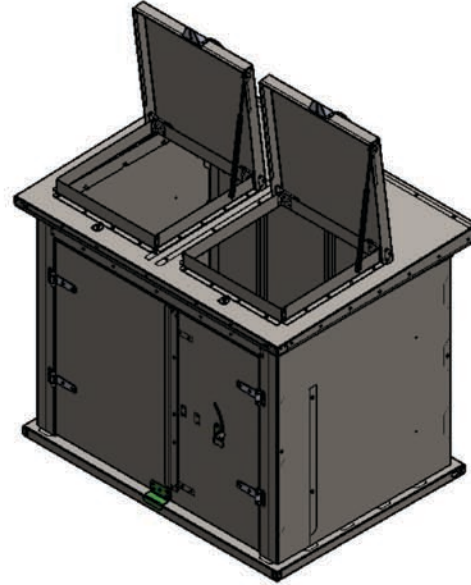
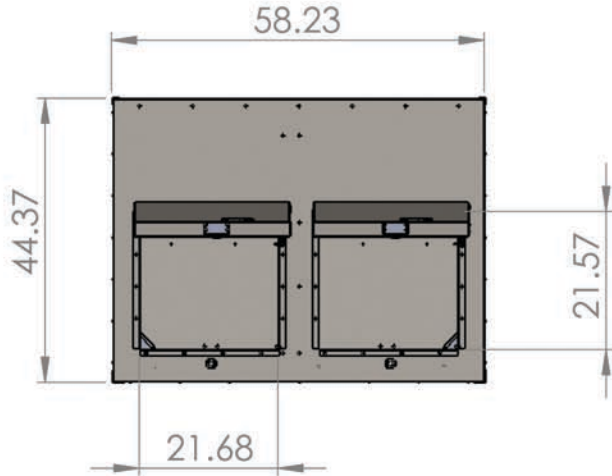


# Product Specifications

Description: BEARICUDA RAZORBACK  
Part #/Model #: ENC905



Bearicuda Bins  
PO Box 56, 3 West Street, Suite 3E  
| Litchfield, CT 06759-0056  
877-BEARICUDA (232-7428)  
www.bearicuda.com



## MATERIAL:

- 16GA, 14GA AND 12GA RUST PREVENTATIVE GALVANIZED STEEL
- 4 STAINLESS STEEL BARN DOOR HINGES FOR FREE SWINGING DOORS

## FEATURES:

- 2 LID LIFT ASSIST GAS SHOCK CYLINDERS
- FRONT ACCESS DOORS FOR EASY ACCESS AND WASTE BAG REMOVAL
- FRONT DOOR LATCHING MECHANISM WITH LOCKING OPTION
- 2 LID LATCHES FOR LOCKING OPTION

## FINISH

- POLYESTER POWDER COAT FINISH

## WEIGHT

- 486.03LBS

Revision 0

Date 07/25/2017