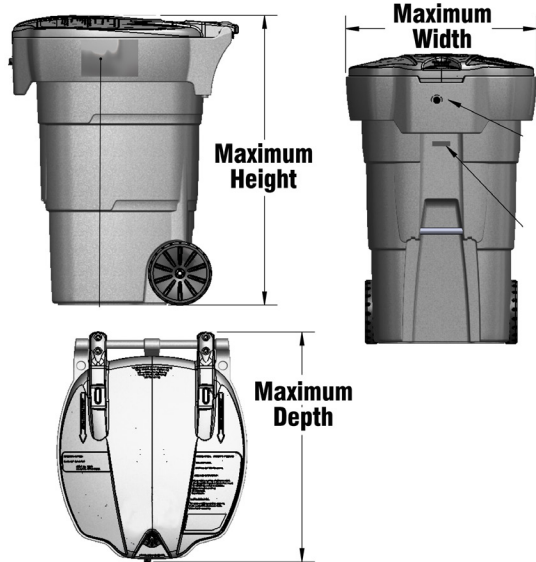


Bearicuda Aspen Storage Enclosure Sizing Chart



1. Measure the maximum height, width and depth of your can. When measuring your can be sure to measure the highest height, deepest depth and widest width to include can handles and wheels if applicable.

2. Then reference our Aspen bin sizing chart dimensions below to ensure you have selected the best size configuration for your cans.



Suggested configurations: Measure your cans to select the best configuration.
Click on the product SKU number to go to that product page.

	ENC120	ENC120L	ENC120XL	ENC121	ENC121-L	ENC122	ENC122-L	ENC122-XL	ENC123	ENC124	ENC150	ENC151
Interior Dim:	30" W x 39" H	30" W x 43" H	43" W x 43" H	58" W x 39" H	58" W x 43" H	86" W x 39" H	86" W x 43" H	93" W x 48" H	86" W x 49" H	72" W x 48" H	40" W x 50" H	78" W x 50" H
Depth	21" Deep	27" Deep	37" Deep	21" Deep	27" Deep	21" Deep	27" Deep	34" Deep	31" Deep	37" Deep	37" Deep	37" Deep
Door Dim:	23" W x 35.5" H	24" W x 40" H	30" W x 40" H	23" W x 35.5" H	24" W x 40" H	23" W x 35.5" H	24" W x 40" H	27" W x 45" H	37" W x 47" H	29" W x 45" H	32" W x 47" H	32" W x 47" H

