

4

3

2

1

D

D

C

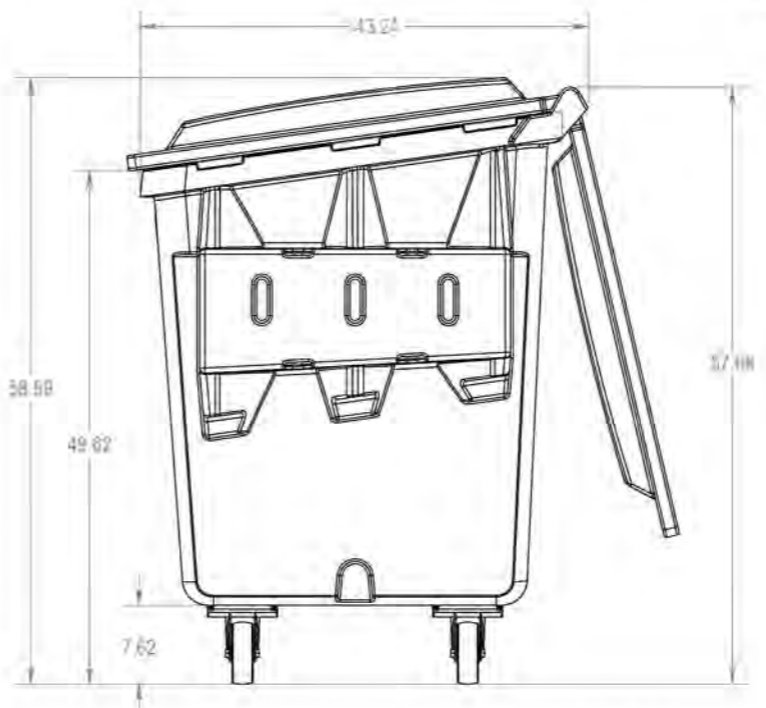
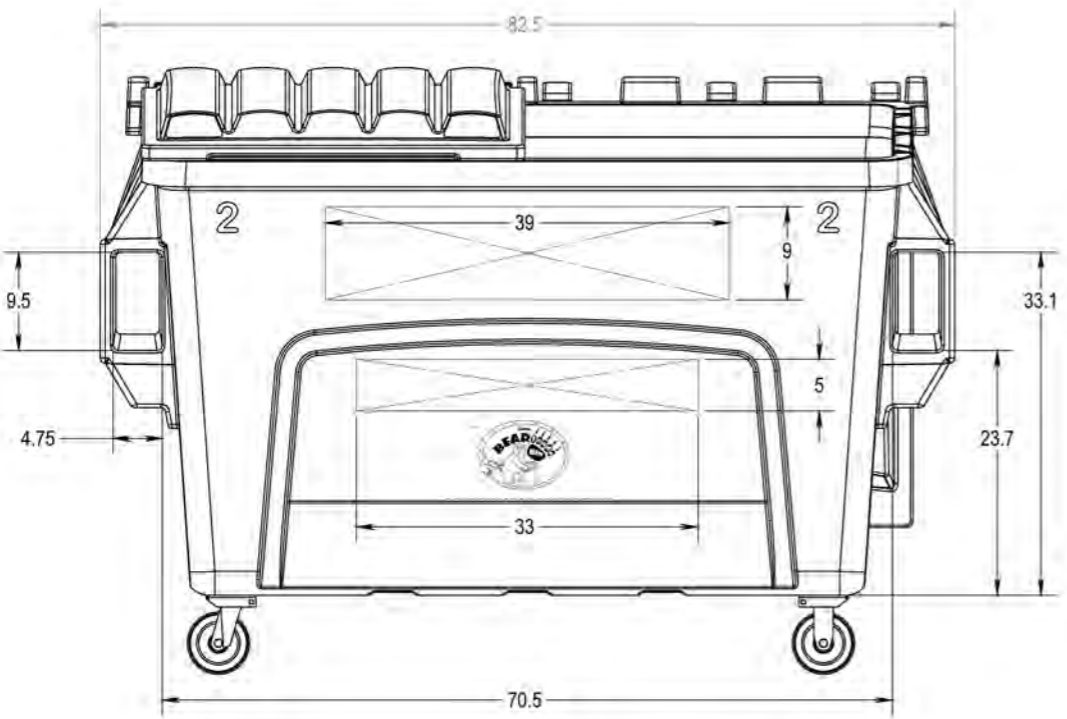
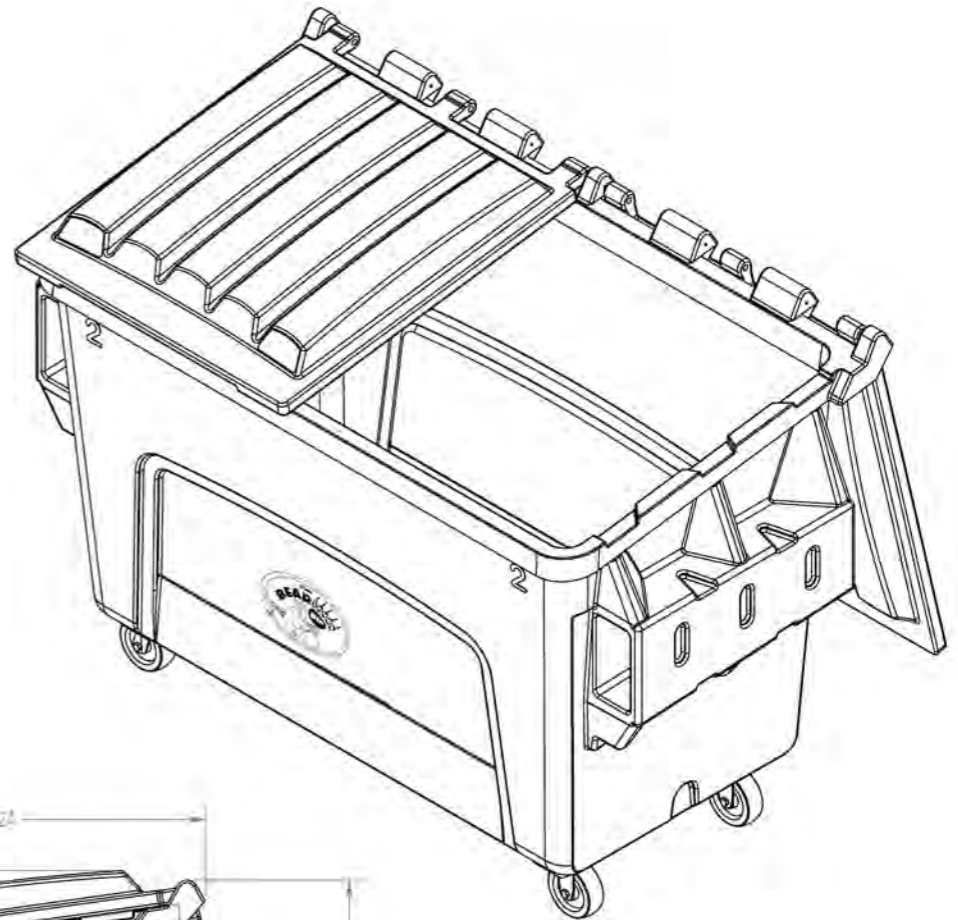
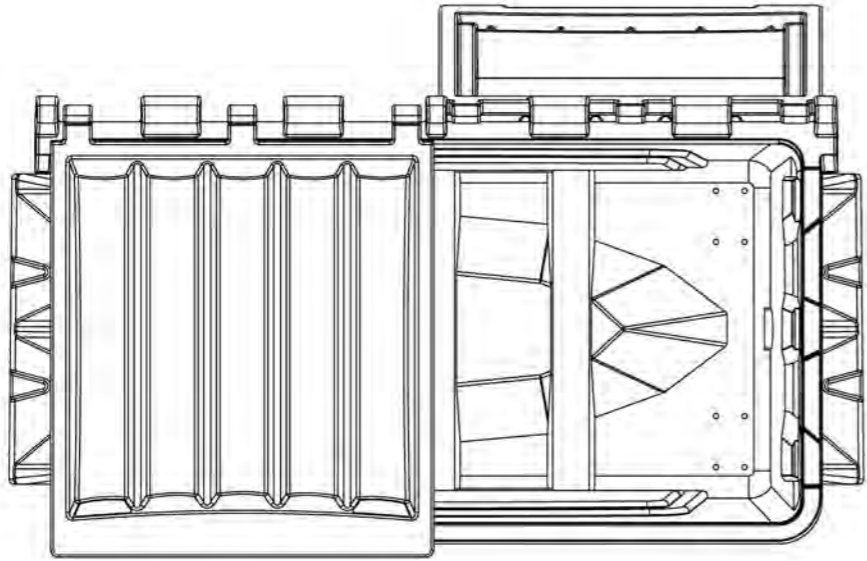
C

B

B

A

A



SPECS:
APPROXIMATE VOLUME 1.85 CU. YARDS
APPROXIMATE WEIGHT 225 LBS..(WITH CASTERS AND LIDS.)
LOAD CAPACITY 2000 LBS.
TRUCK QTY. 45

PROPRIETARY AND CONFIDENTIAL
 THE INFORMATION CONTAINED IN THIS
 DRAWING IS THE SOLE PROPERTY OF
 BEARICUDA, INC.

UNLESS OTHERWISE SPECIFIED:		NAME	DATE
DIMENSIONS ARE IN INCHES	DRAWN		
TOLERANCES:	CHECKED		
FRACTIONAL: 1/16	ENG APPR.		
ANGULAR: MACH 5	MFG APPR.		
TWO PLACE DECIMAL: 1/2	C.A.		
THREE PLACE DECIMAL: 1/4	COMMENTS:		
INTERPRET GEOMETRIC TOLERANCING PER:			
MATERIAL: SEE BOM			
WORK ASSY	USE/ISSN		
APPLICATION	DATE OF SCALE DRAWING		

BEARICUDA INC.

TITLE:
89-20F01

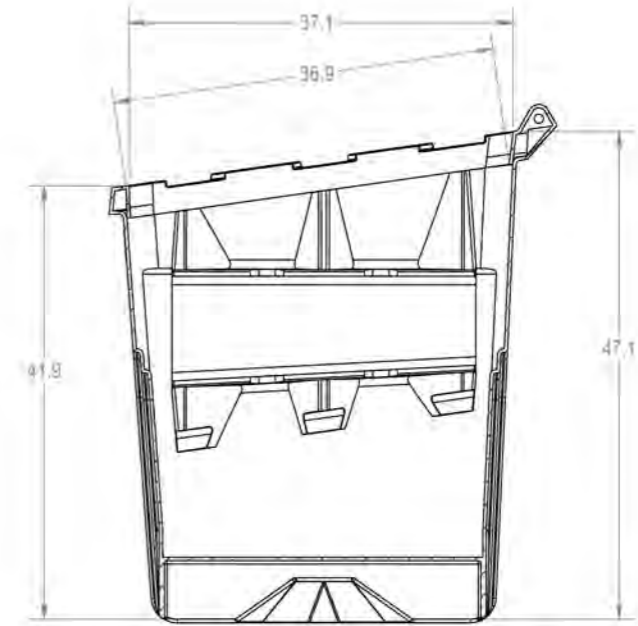
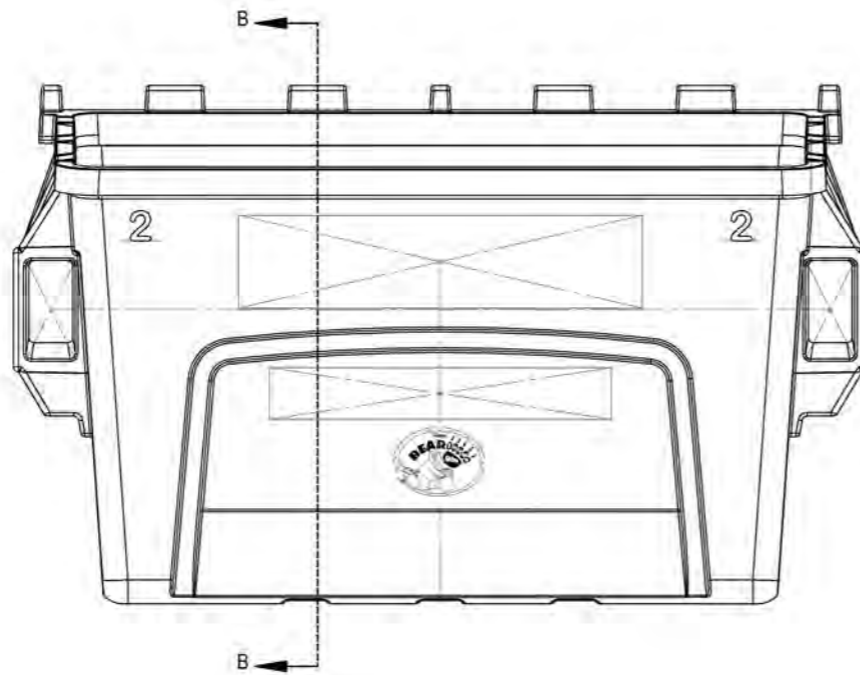
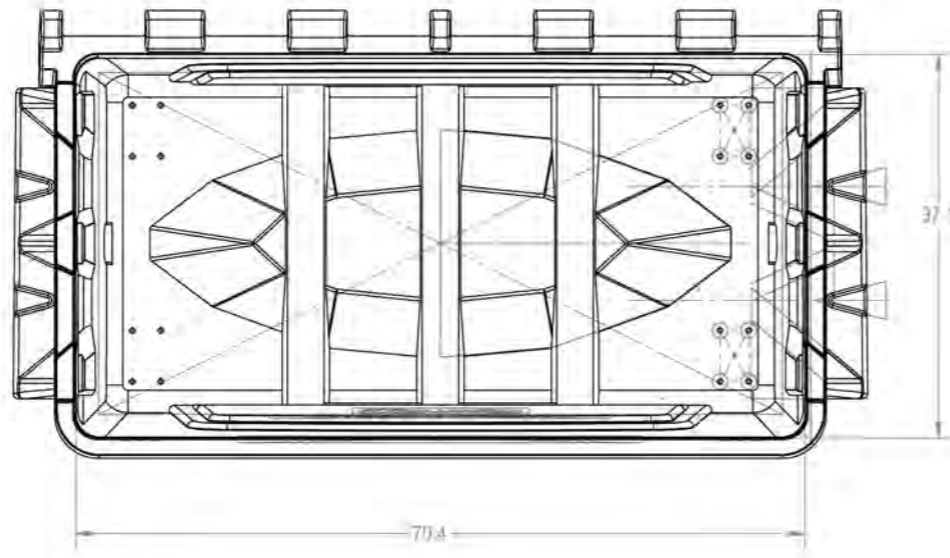
SIZE DWG. NO. REV
C 2 YD FL-01A Sales Drawing
 SCALE: 1:12 WEIGHT: SHEET 1 OF 2

4

3

2

1



SECTION B-B

DIMENSIONS ARE IN INCHES				MATERIAL:		NOTED	
MACHINED TOLERANCES:		MOLDED TOLERANCES:		FINISH:		NOTED	
DECIMAL:	ANGULAR:	DECIMAL:	ANGULAR:	TEXT:		BEARICUDA INC.	
± .012	± 1°	± .010 PER INCH	± 1°	TITLE:		2 YD FL-01A Sales Drawing	
OTHER AND BRAKE SHARP EDGES				SCALE:		SCALE:	
COMMENTS:				SCALE:		SCALE:	
DRAWN:				SCALE:		SCALE:	
CHECKED:				SCALE:		SCALE:	
APPROVED:				SCALE:		SCALE:	
DATE:				SCALE:		SCALE:	
DATE:				SCALE:		SCALE:	