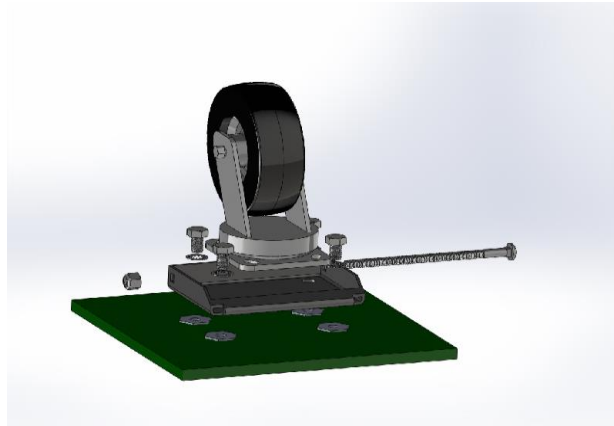




Bearicuda, Inc

3 West Street, Suite 3E, Litchfield, CT 06759-0056

Tel: 1-877-232-7428 www.bearicuda.com



PARTS LIST (PER EACH CASTER INSTALL)

- 4 ea. 1/2-13 x 3/4 HEX HEAD BOLT
- 4 ea. 1/2" INTERNAL TOOTH LOCK WASHER
- 1 ea. 3/8 - 16 X 7-1/2" CARRIAGE BOLT
- 1 ea. 3/8-16 NYLON NUT
- 1 ea. CASTER PLATE
- 1 ea. CASTER WHEEL

CASTER INSTALLATION INSTRUCTIONS

1. Align caster plate with the molded-in fasteners on the bottom of the container.
2. Insert 1/2" bolts with 1/2" lock washers into the holes in the caster plate and tighten.
3. Insert caster into curved edge of caster plate and then between bolt heads.
4. Install 3/8" carriage bolt through the holes in caster plate opposite of the curved edge.
5. Install and tighten 3/8" nylon nut on carriage bolt.

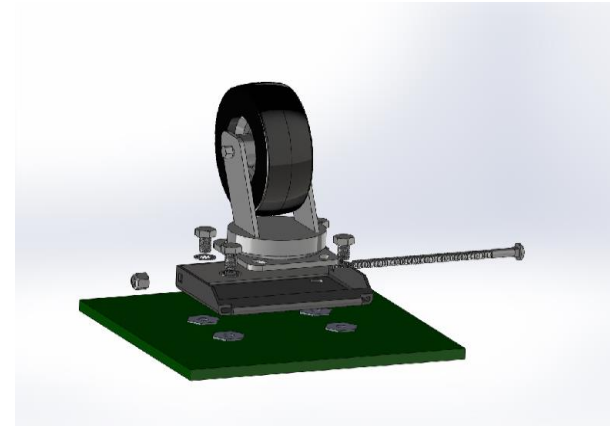
Bearicuda Inc. Phone: 877-232-7428 www.bearicuda.com



Bearicuda, Inc

3 West Street, Suite 3E, Litchfield, CT 06759-0056

Tel: 1-877-232-7428 www.bearicuda.com



PARTS LIST (PER EACH CASTER INSTALL)

- 4 ea. 1/2-13 x 3/4 HEX HEAD BOLT
- 4 ea. 1/2" INTERNAL TOOTH LOCK WASHER
- 1 ea. 3/8 - 16 X 7-1/2" CARRIAGE BOLT
- 1 ea. 3/8-16 NYLON NUT
- 1 ea. CASTER PLATE
- 1 ea. CASTER WHEEL

CASTER INSTALLATION INSTRUCTIONS

1. Align caster plate with the molded-in fasteners on the bottom of the container.
2. Insert 1/2" bolts with 1/2" lock washers into the holes in the caster plate and tighten.
3. Insert caster into curved edge of caster plate and then between bolt heads.
4. Install 3/8" carriage bolt through the holes in caster plate opposite of the curved edge.
5. Install and tighten 3/8" nylon nut on carriage bolt.

Bearicuda Inc. Phone: 877-232-7428 www.bearicuda.com