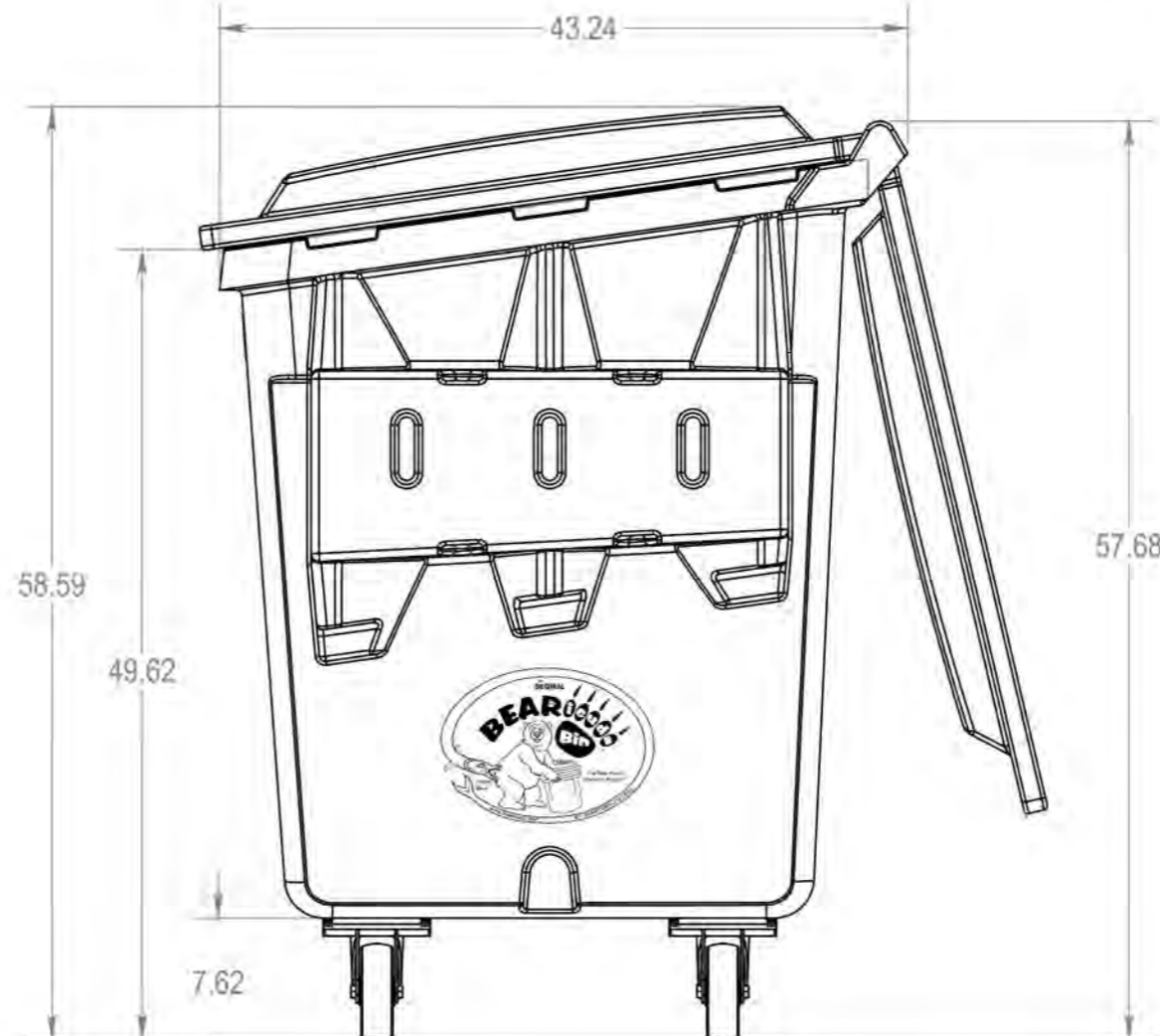
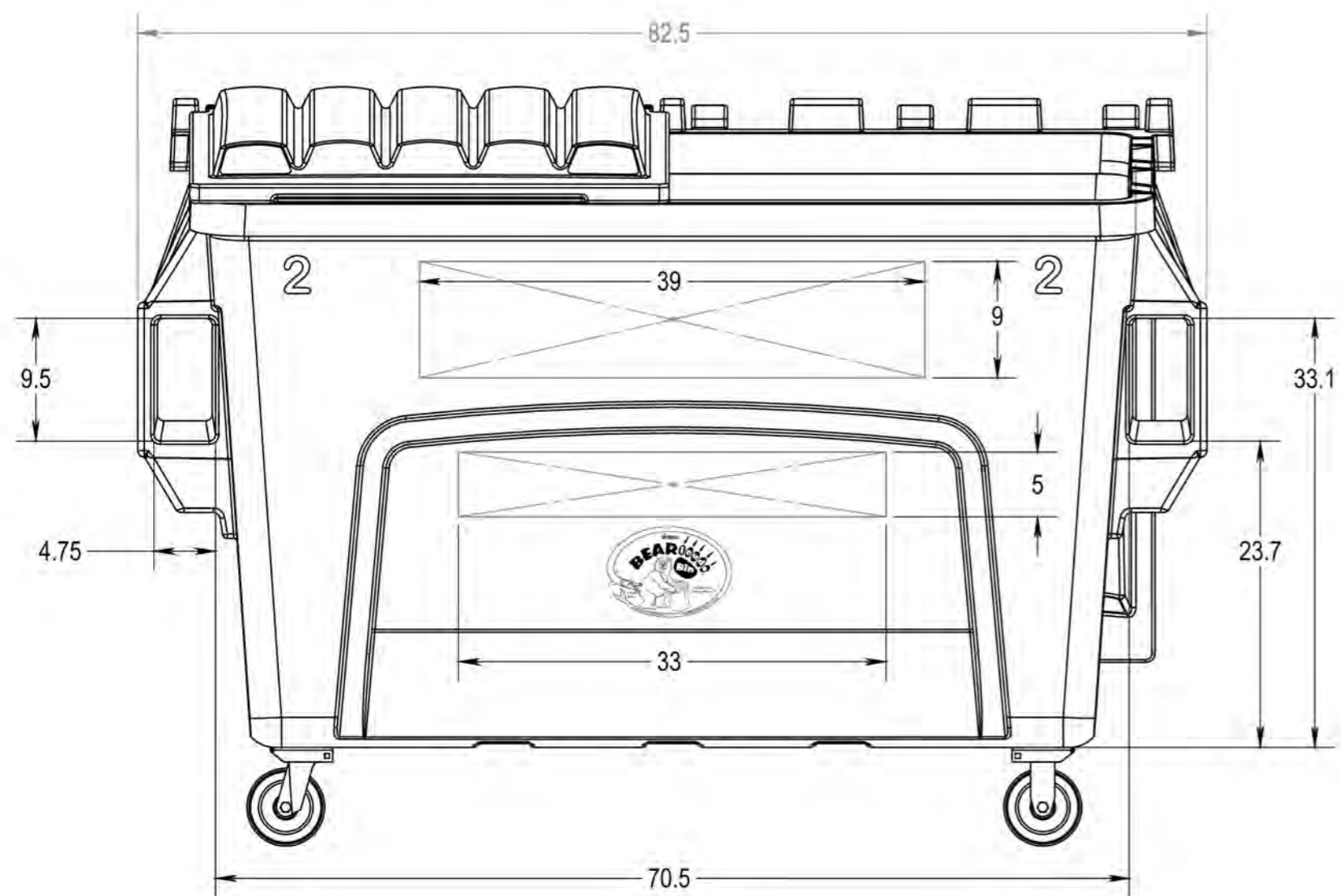
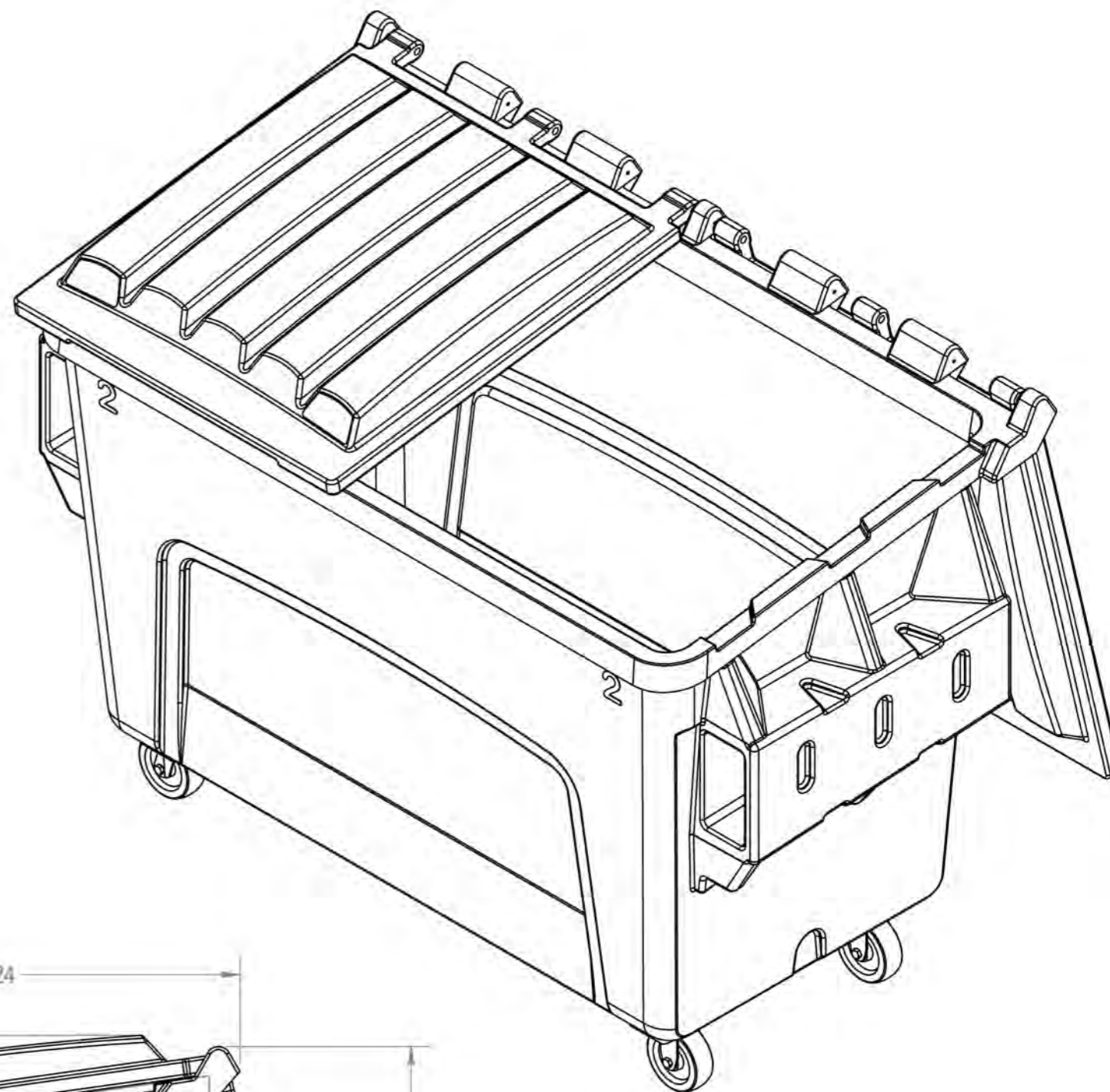
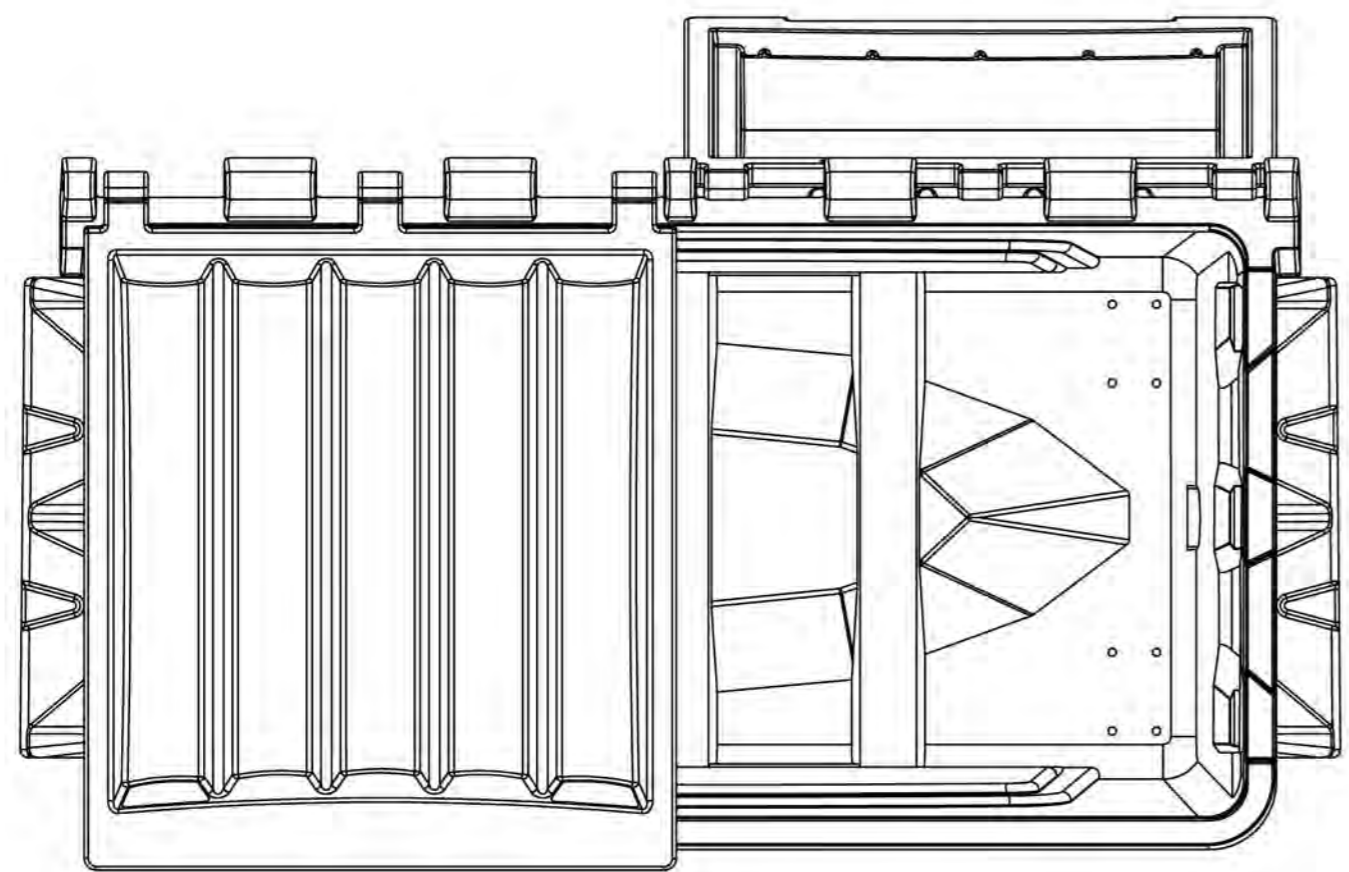


4

3

2

1



**SPECS:**  
**APPROXIMATE VOLUME 1.85 CU. YARDS**  
**APPROXIMATE WEIGHT 225 LBS. (WITH CASTERS AND LIDS.)**  
**LOAD CAPACITY 2000 LBS.**  
**TRUCK QTY. 45**



**PROPRIETARY AND CONFIDENTIAL**  
 THE INFORMATION CONTAINED IN THIS DRAWING IS THE SOLE PROPERTY OF BEARICUDA INC. ANY REPRODUCTION IN PART OR AS A WHOLE WITHOUT THE WRITTEN PERMISSION OF BEARICUDA INC. IS PROHIBITED.

UNLESS OTHERWISE SPECIFIED:		NAME	DATE
DIMENSIONS ARE IN INCHES		DRAWN	
TOLERANCES:		CHECKED	
FRACTIONAL ±		ENG APPR:	
ANGULAR: MACH ± BEND ±		MFG APPR:	
TWO PLACE DECIMAL ±		Q.A.	
THREE PLACE DECIMAL ±		COMMENTS:	
INTERPRET GEOMETRIC TOLERANCING PER:		TITLE: <b>89-20F01</b>	
MATERIAL: <b>SEE BOM</b>		SIZE DWG. NO. <b>C 2 YD FL-01A</b>	
FINISH:		REV	
NEXT ASSY	USED ON	SCALE: 1:12 WEIGHT: SHEET 1 OF 2	
APPLICATION		DO NOT SCALE DRAWING	

4

3

2

1

D

D

C

C

B

B

A

A

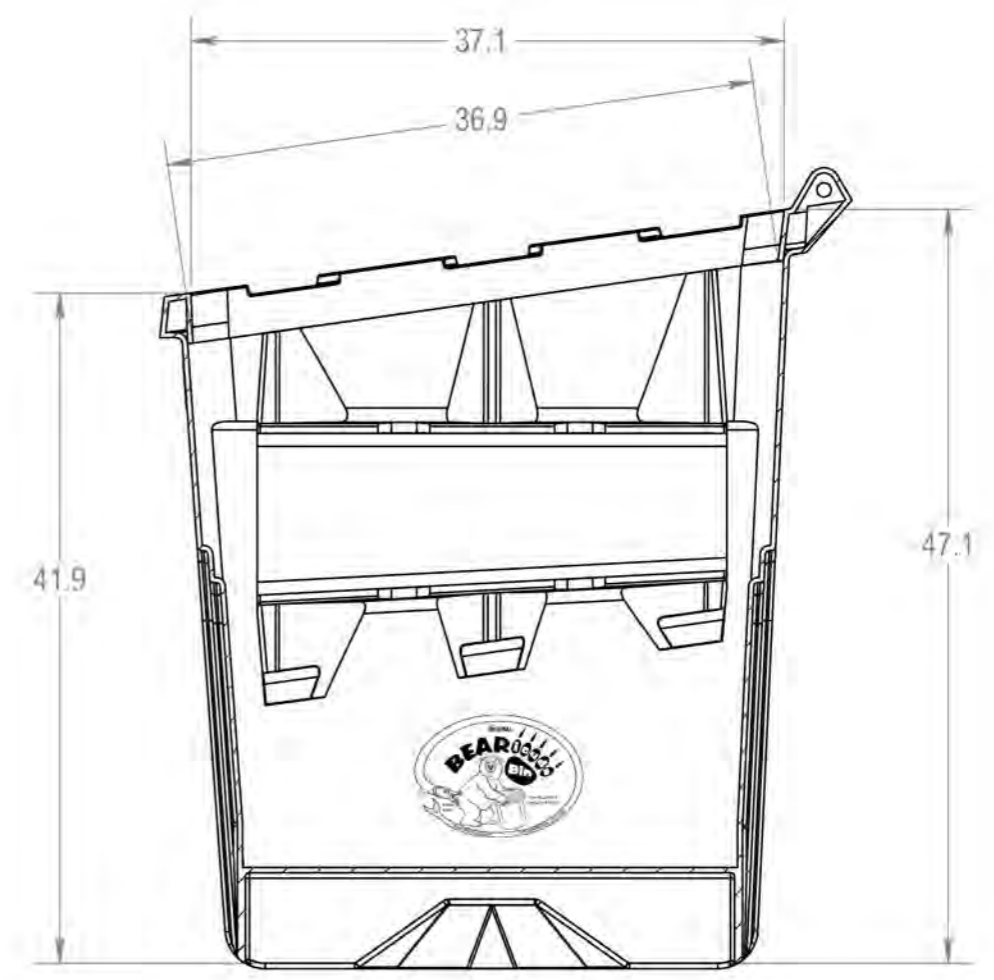
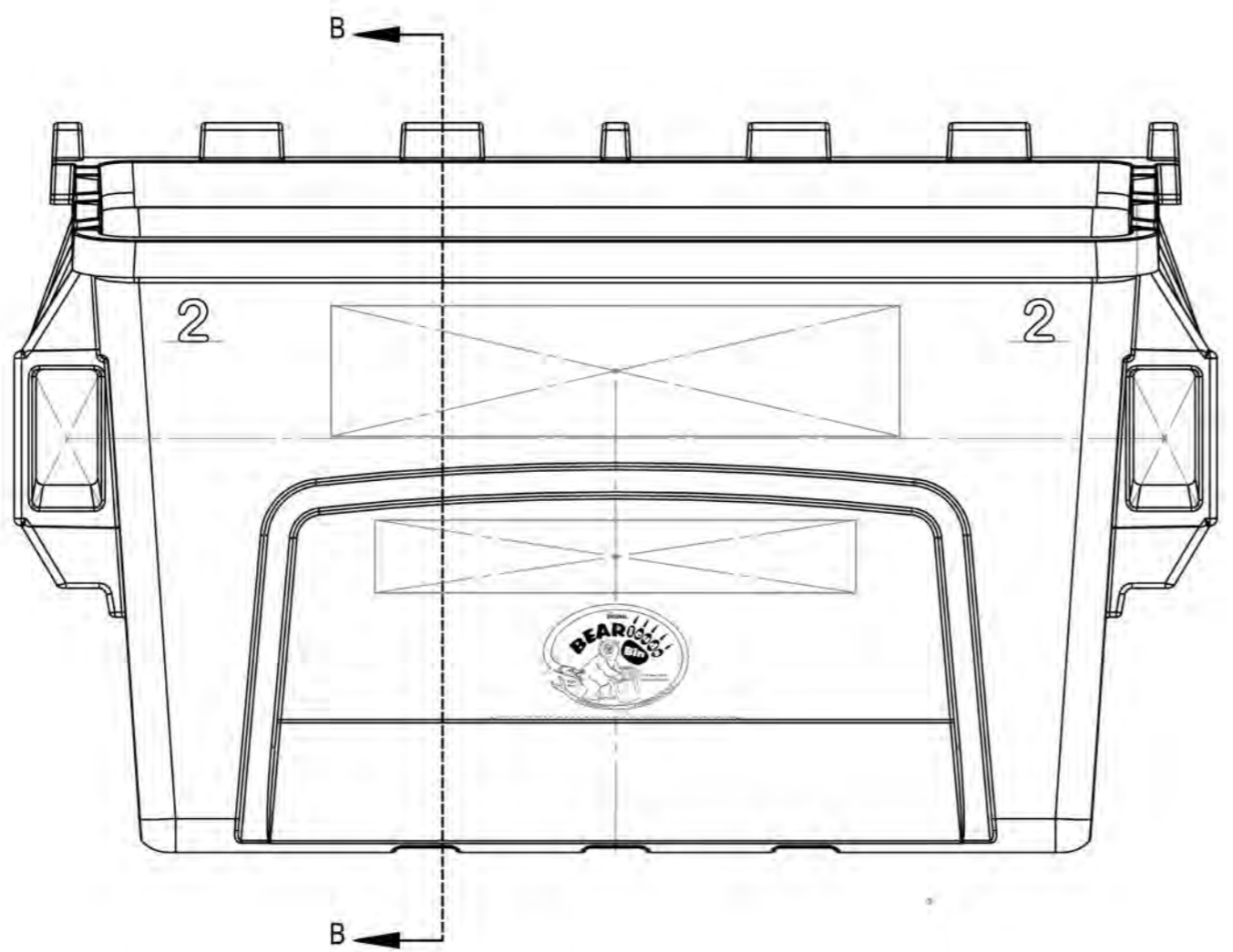
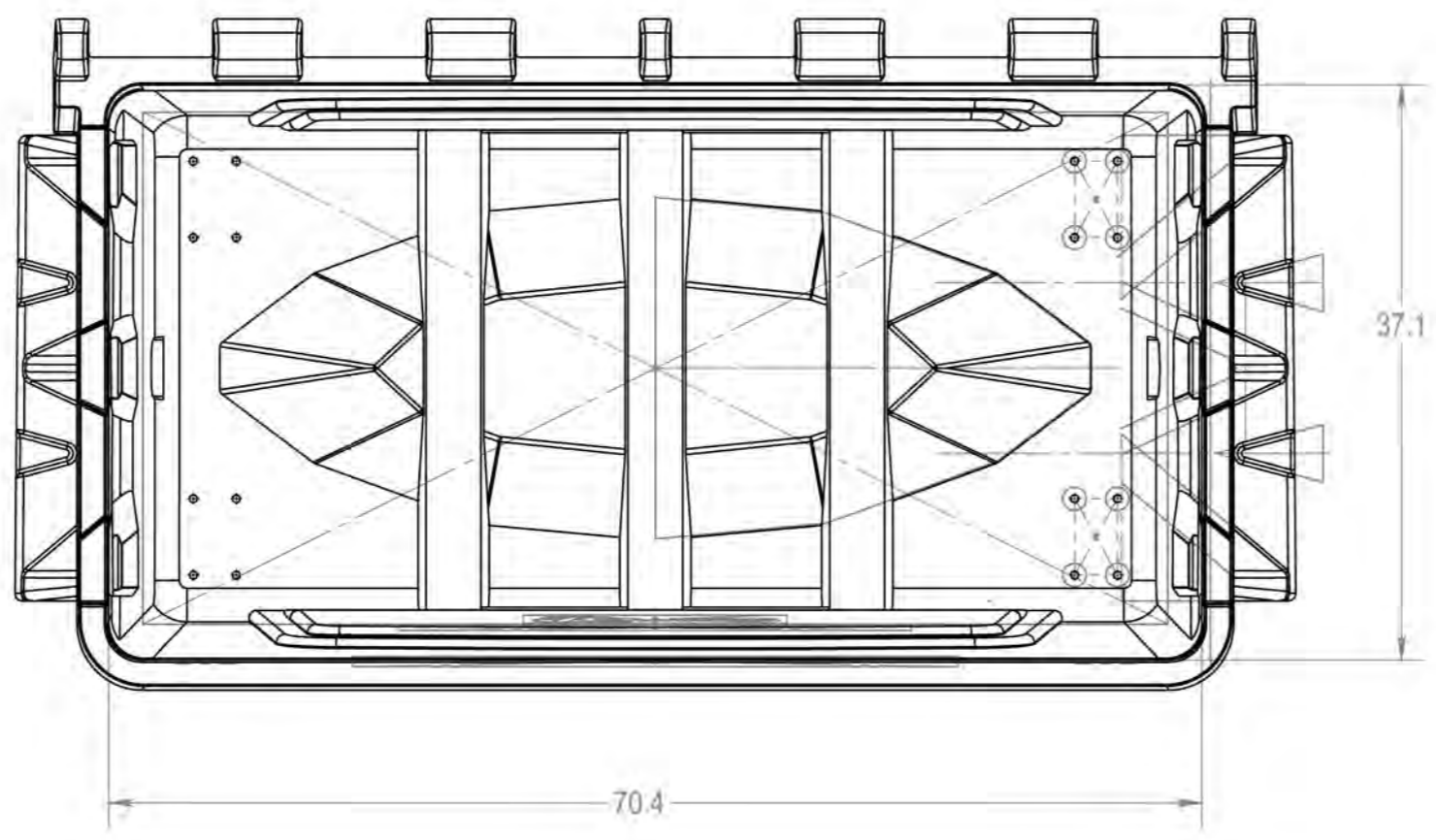


4

3

2

1



SECTION B-B



DIMENSIONS ARE IN INCHES				MATERIAL:		NOTED	
MACHINED TOLERANCES:		MOLDED TOLERANCES:		FINISH:		NOTED	
DECIMAL:	ANGULAR: ± 1	± 0.010 PER INCH		DEBUR AND BRAKE		SHARP EDGES	
.XX ± 0.01							
.XXX ± 0.005							
DRAWN:		SIGNATURE:		DATE:		COMMENTS:	
CHKD:				4/19/2020			
APP'D:							
MFG:							
QA:							
<small>PROPRIETARY AND CONFIDENTIAL THE INFORMATION CONTAINED IN THIS DRAWING IS THE SOLE PROPERTY OF BEARSKULL INC. ANY REPRODUCTION IN PART OR AS A WHOLE WITHOUT THE WRITTEN PERMISSION OF BEARSKULL INC. IS PROHIBITED.</small>				TITLE:		2 YD FL-01A	
SCALE:		WGHT:		SHEET OF 1		REV.	

4

3

2

1

D

D

C

C

B

B

A

A