
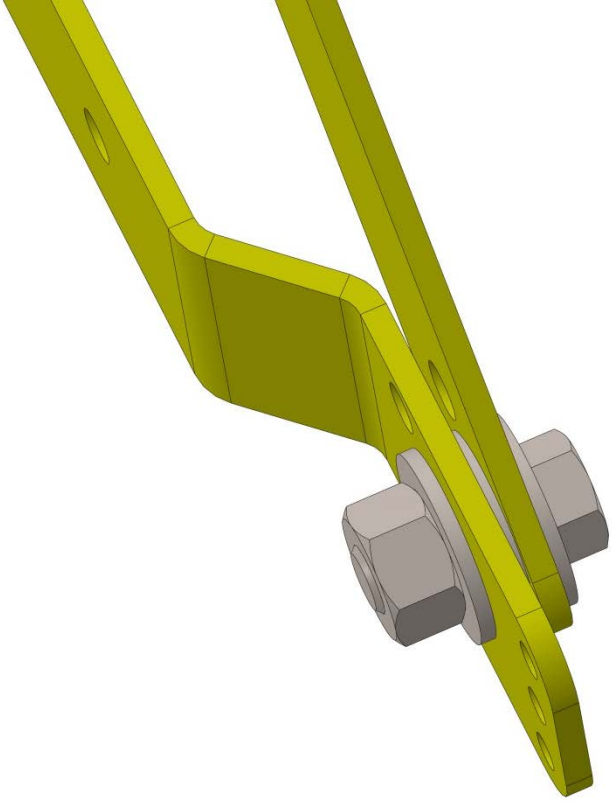


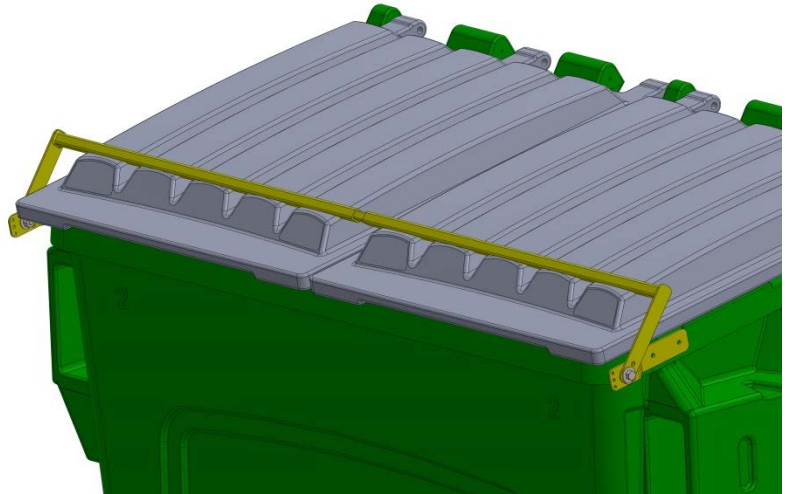
Bearicuda Lock Bar
Front Load Lock Bar Kit Installation Instructions.

Tools Needed	Drill 7/16" Drill bit Wrenches or sockets
Step:1 Assemble Lock bar as shown	
Assemble 1/2" bolt with washers and retaining nut as shown. Do not over tighten nut and bolt. The lock bar must swing freely to work properly.	

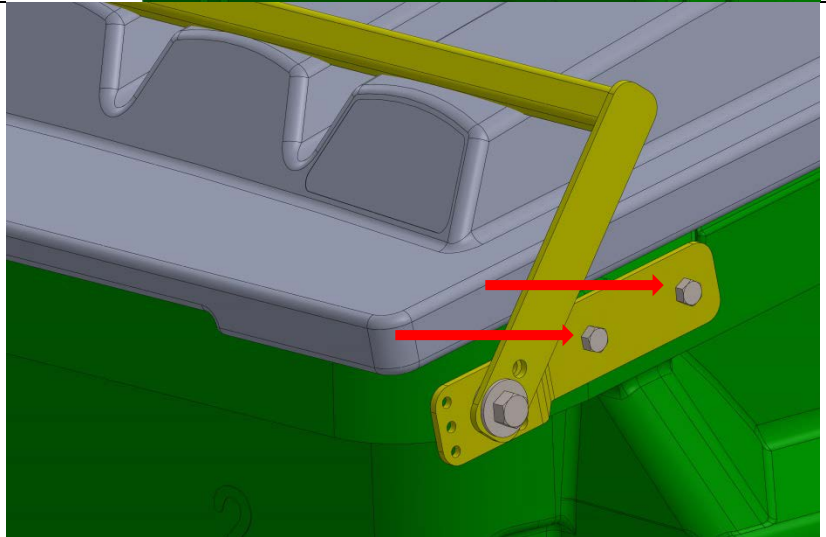
Step:2

Position lock bar onto container with lids closed and position to the desired fit.

Use the lock bar as a template to mark the container for the mounting bolts



Drill two 7/16 dia. holes on each side of the container and install the 3/8" x 2 1/2" long bolts with washers and nuts.



If a stop is required to prevent the lock bar from dropping too low, install the 1/4" socket bolts with nuts as shown in the 1 of 3 locations provided on each side.

