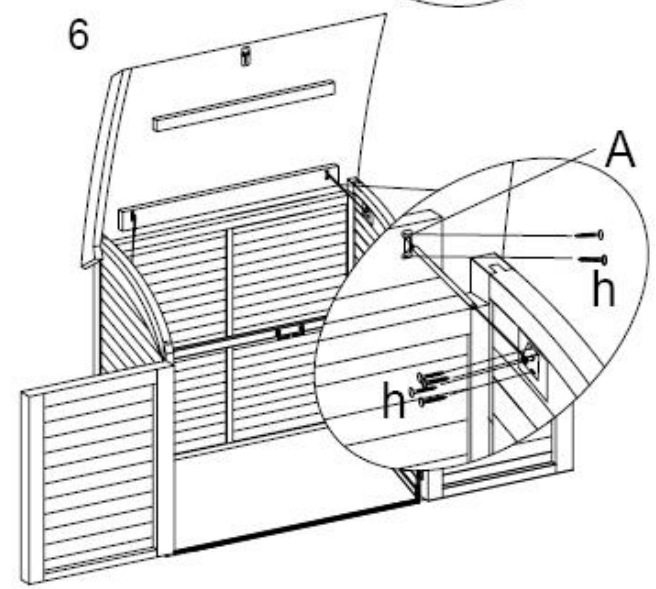
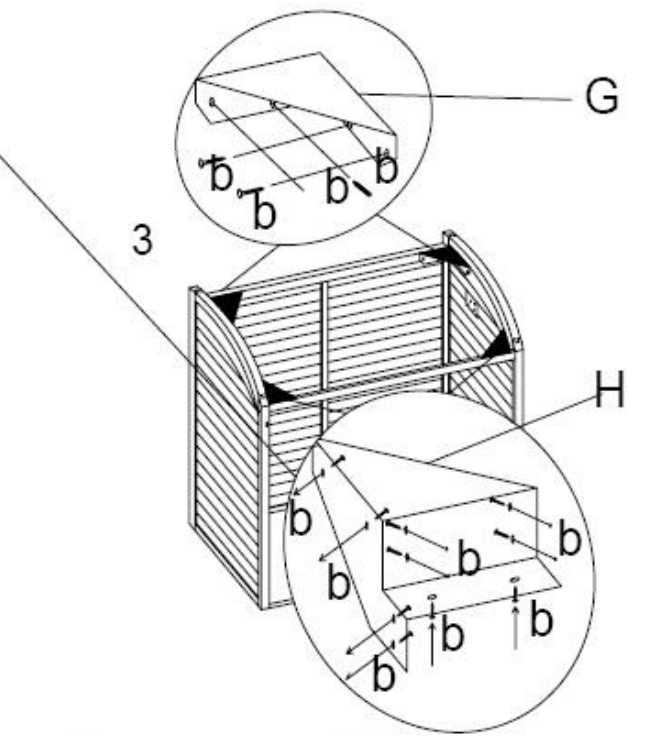
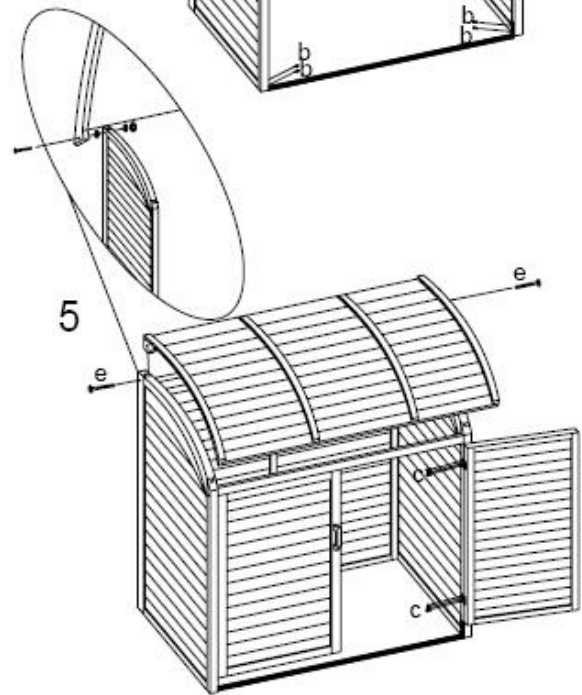
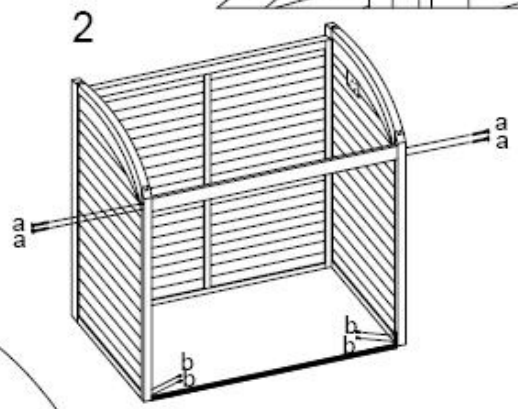
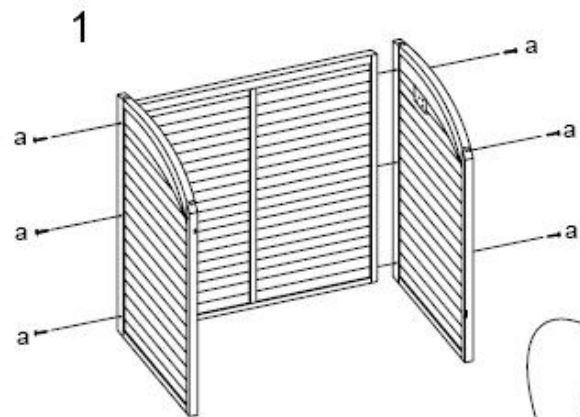
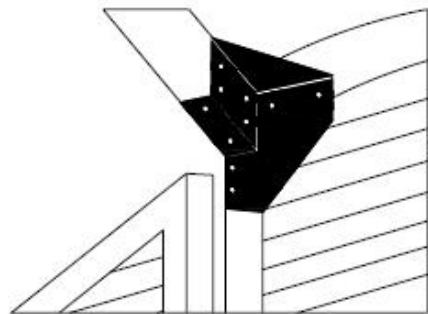
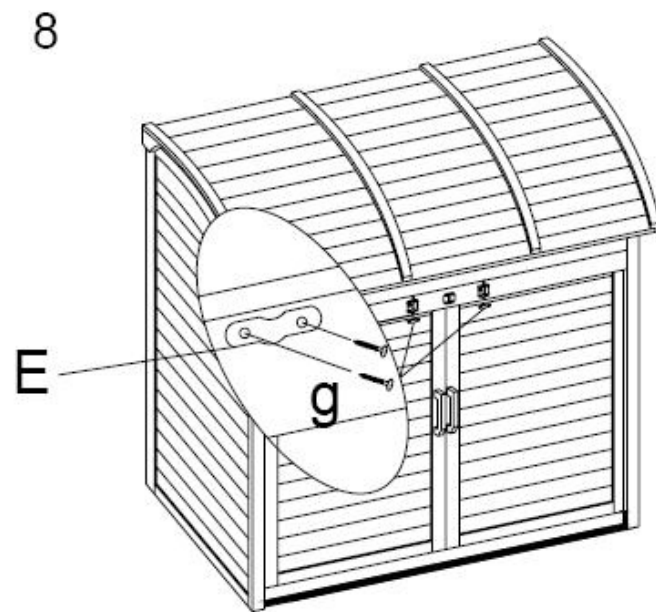
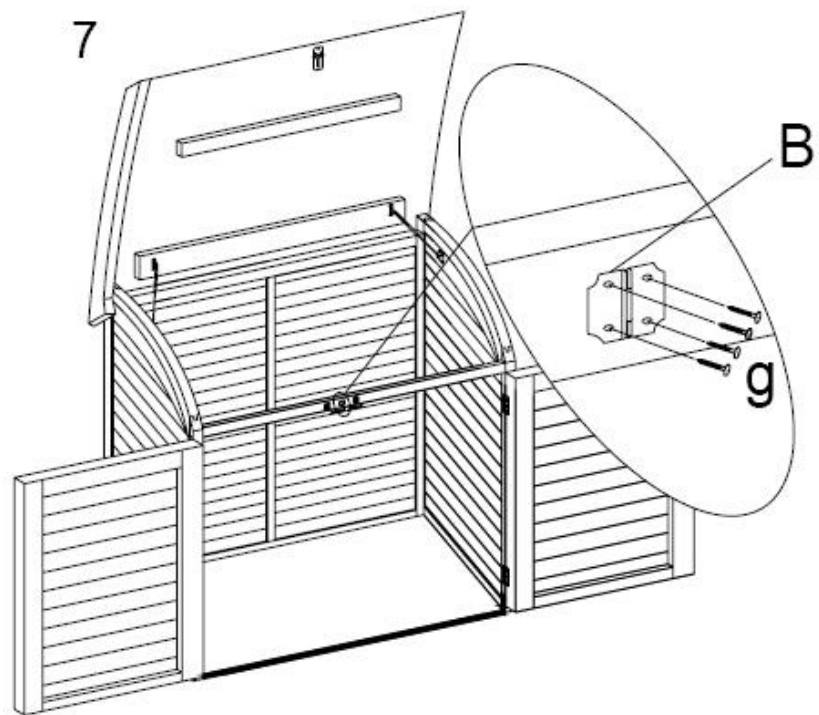


# ASSEMBLY INSTRUCTION





- |          |  |        |          |  |       |          |  |        |
|----------|--|--------|----------|--|-------|----------|--|--------|
| <b>a</b> |  | 10 PCS | <b>d</b> |  | 4 PCS | <b>g</b> |  | 8 PCS  |
| <b>b</b> |  | 32 PCS | <b>e</b> |  | 2 PCS | <b>h</b> |  | 12 PCS |
| <b>c</b> |  | 12 PCS | <b>H</b> |  | 2 PCS |          |  |        |

- |          |  |       |          |  |       |
|----------|--|-------|----------|--|-------|
| <b>A</b> |  | 2 PCS | <b>E</b> |  | 2 PCS |
| <b>B</b> |  | 1 PC  | <b>G</b> |  | 2 PCS |

