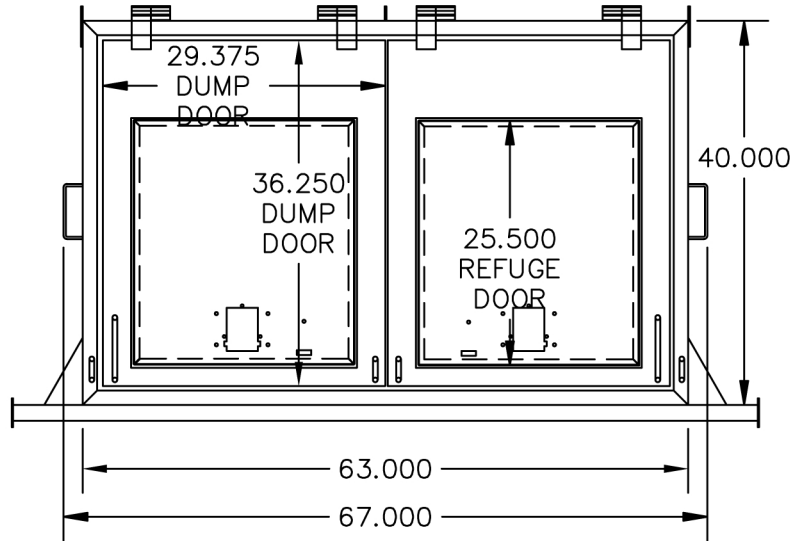
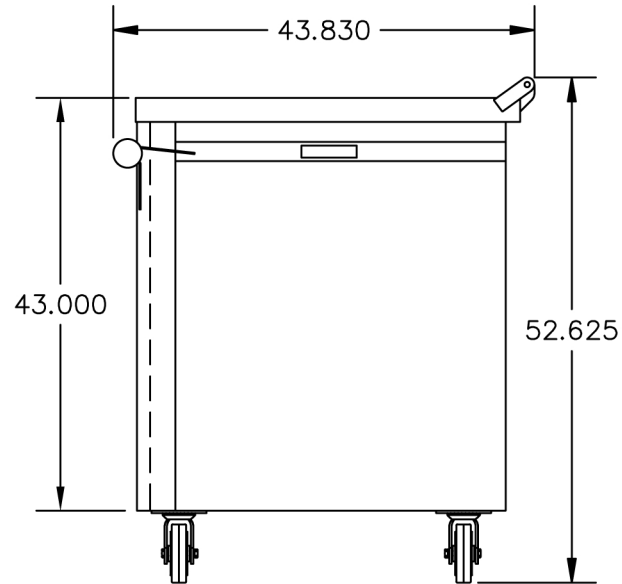
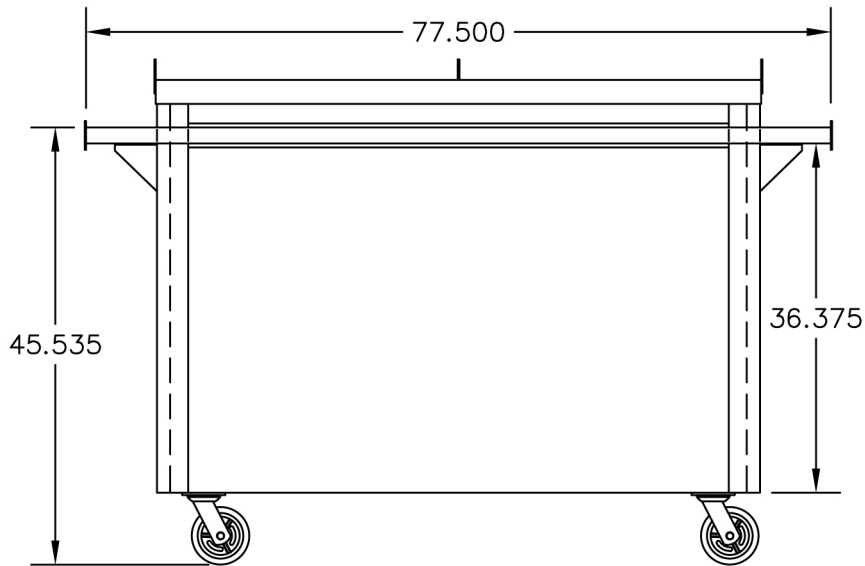


# DMP102RL - WITH CASTORS



NOTES: UNLESS OTHERWISE SPECIFIED

1. 14 GA HRS BODY  
W/ 1" DRAIN HOLE @ RIGHT SIDE [OPTIONAL]
2. 14 GA HRS BEAR-PROOF LIDS
3. 1/2"  $\phi$  HRS ROUND BAR HANDLES
4. 1/4" HRS HINGE PLATES
5. 3/4"  $\phi$  SCH 40 BLACK PIPE HINGES
6. 10 GA HRS CORNER POSTS AND BRACES
7. 1" x 3" x 14 GA RECT. TUBE HRS FRONT STIFFENER
8. 1-1/2" x 2-1/2" x 14 GA. HRS RECT TUBE TRIM
9. 1-1/4" SCH 40 BLACK PIPE DUMP BAR
10. 1/2"  $\phi$  SCH 40 BLACK PIPE LOCK-BAR [OPTIONAL]  
[NOT SHOWN FOR CLARITY]
11. 16 GA HRS STEEL LID [OPTIONAL][NOT SHOWN FOR CLARITY]
12. 1-1/4" x 2" x 14 GA. RECT. TUBE SIDE/FRONT STIFFENER
13. 3/4"  $\phi$  HRS ROUND BAR HINGE-PIN[NOT SHOWN FOR CLARITY]
14. POWDER COAT PER CUSTOMER SPECIFICATIONS
15. WEIGHT SPECIFICATIONS FOR UNIT EXCLUDING OPTIONS,  
& HARDWARE TOTALS= 438.7 LBS.



**BEARICUDA BINS | PO BOX 56, 3 WEST STREET, SUITE 3E| LITCHFIELD, CT 06759-0056**  
**877-BEARICUDA (232-7428) | WWW.BEARICUDA.COM**

