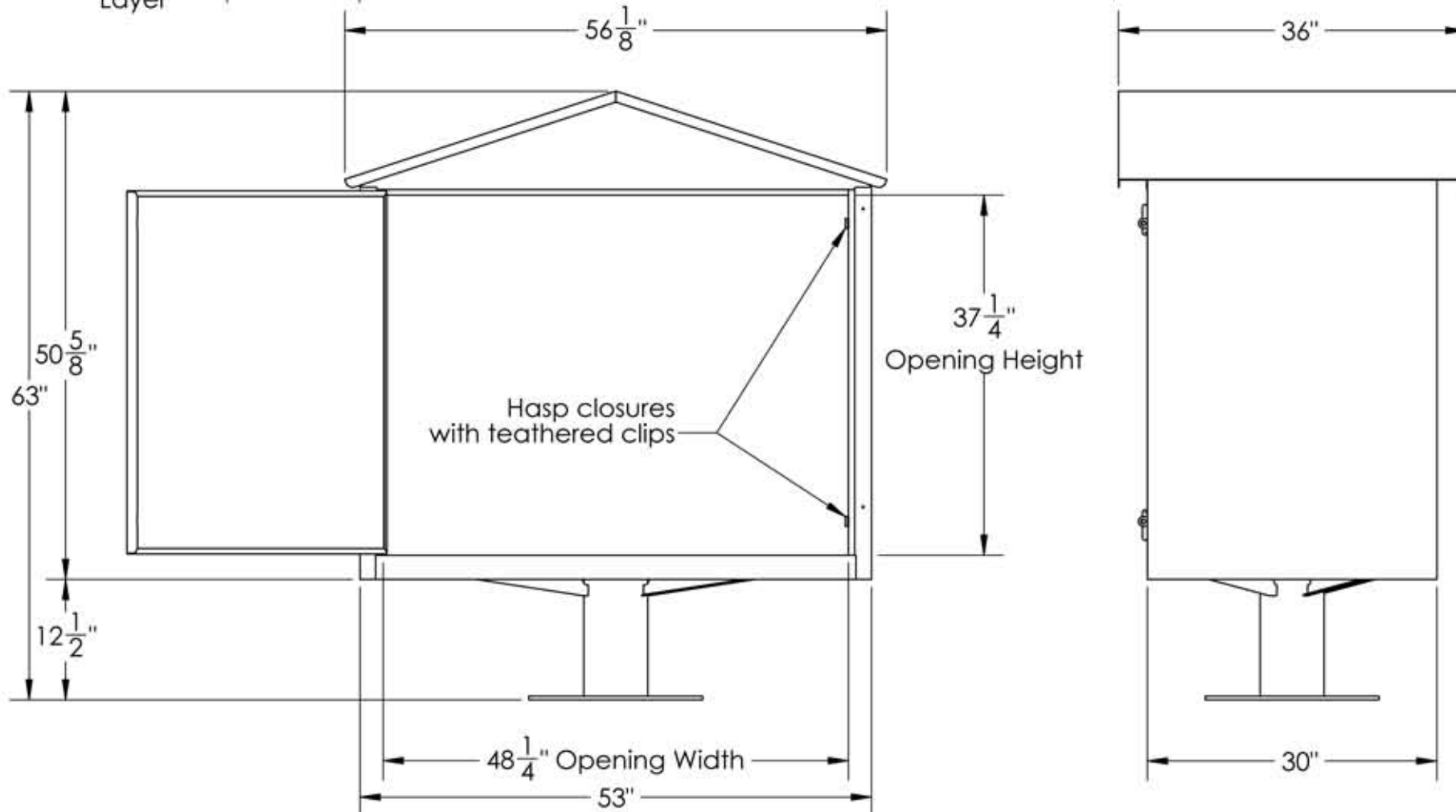
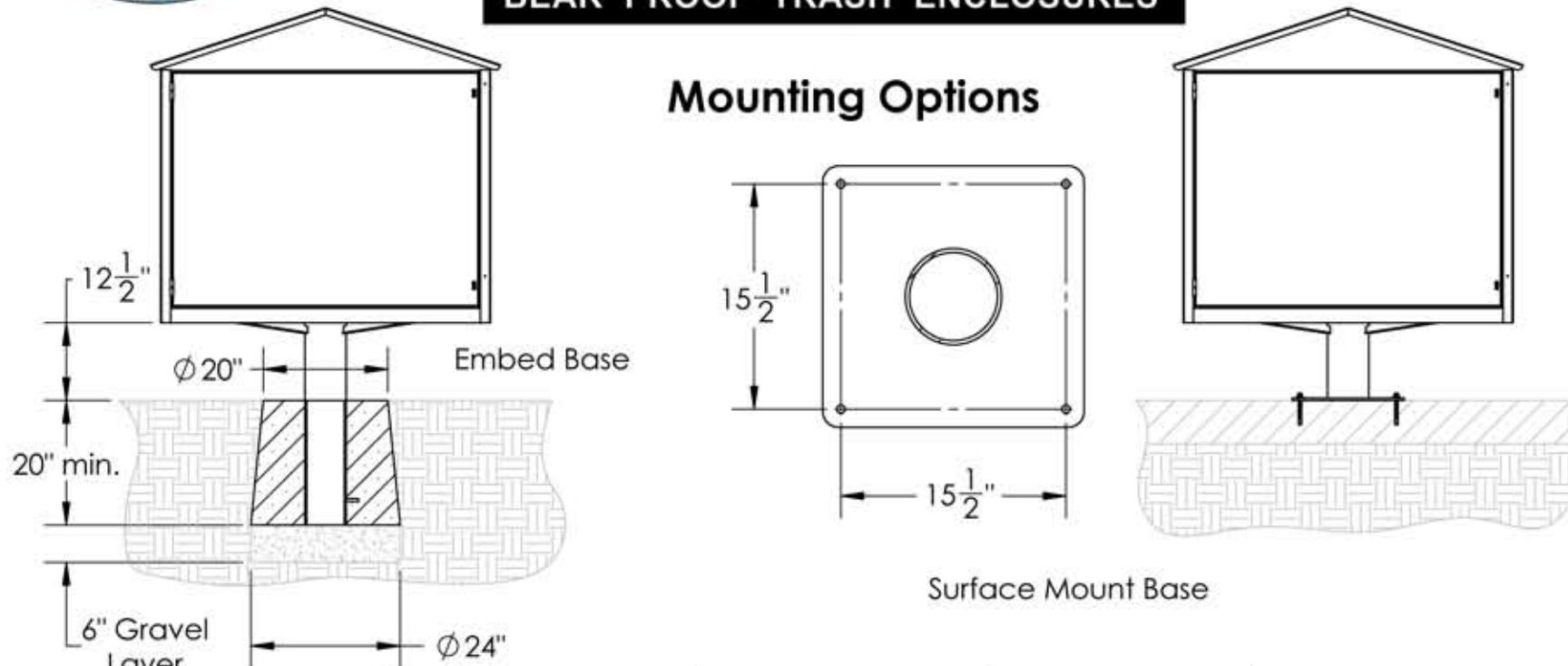




# Gatekeeper

BEAR PROOF TRASH ENCLOSURES

## Mounting Options



The Gatekeeper Enclosure is designed to enclose three 30 gallon rectangular trash cans. The access door is equipped with two hasps, upper and lower. Clips, teathered by cables, are used to secure the hasps and thwart entry by woodland creatures and neighborhood pets. Solid 14 gauge steel construction coupled with an extra durable powder coating shell ensure long lasting utility and beauty. These rugged enclosures are also available in either a surface mount or embedded configuration.

Standard Colors: Black (BL), Blue (B), Brown (BR), Classic Grey (CG), Copper Vein (CV), Green (G), Medium Bronze (MB), Redwood (RW), Regal Rad (RR), Sierra Tan (ST), Statuary Bronze (SB), Yellow (Y).

All Bearicuda products are made in America from no less than 70% recycled steel and are backed by a one year manufacturer warranty.

### Surface Mount Installation Instructions

Four each 3/8" x 4" long wedge anchors, 3/8" flat washers, and 3/8" hex nuts are required for mounting.

1. Lay out the location of the anchor bolts in the desired location according to the dimensions shown.
2. Using a 3/8" diameter carbide drill bit, drill the four holes to any depth exceeding the desired embedment. A minimum depth of 3" is recommended.
3. Clean drill fines from hole.
4. Assemble washer and nut, leaving nut flush with end of the anchor to protect threads. Drive each anchor into a hole. Once the recommended depth of 3" is achieved, hand tighten the nut until the washer is flush to surface of the concrete.
5. Expand the anchor by tightening the nut 3-5 turns past the hand tight position, or to the specified torque requirement.
6. Remove the nuts and washers from the anchors.
7. Place the enclosure over the anchors and reinstall the washers and nuts.

### Embed Installation Instructions

1. Excavate a hole approximatedly 20" in diameter at the top and 24" in diameter at the base. Dig the hole to a minimum depth of 26".
2. Fill the hole with gravel to a depth of 6" for drainage.
3. Set the enclosure in the hole and use temporary braces to keep it level and at the desired height.
4. Fill the remainder of the hole with concrete.