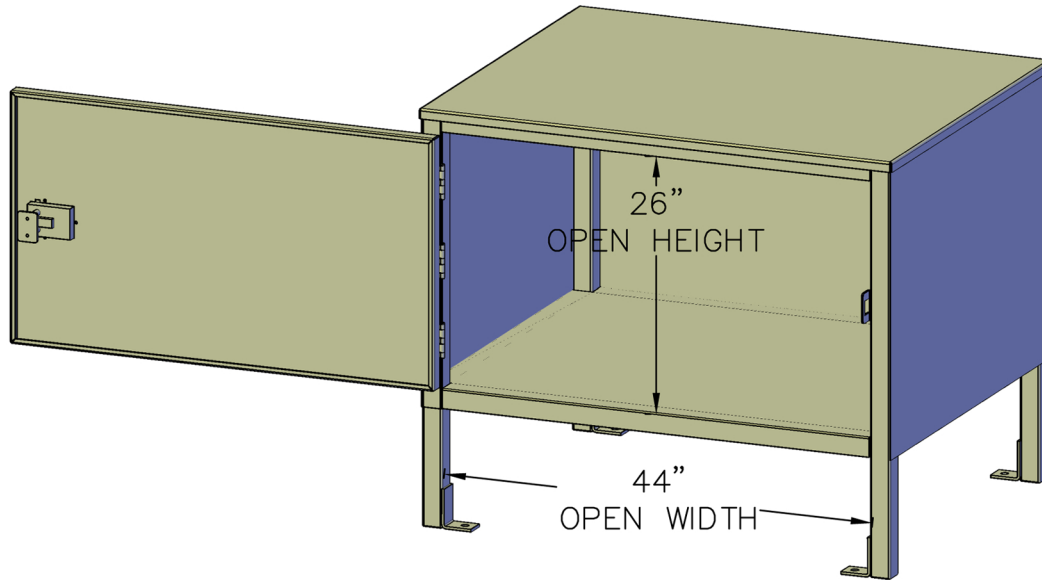
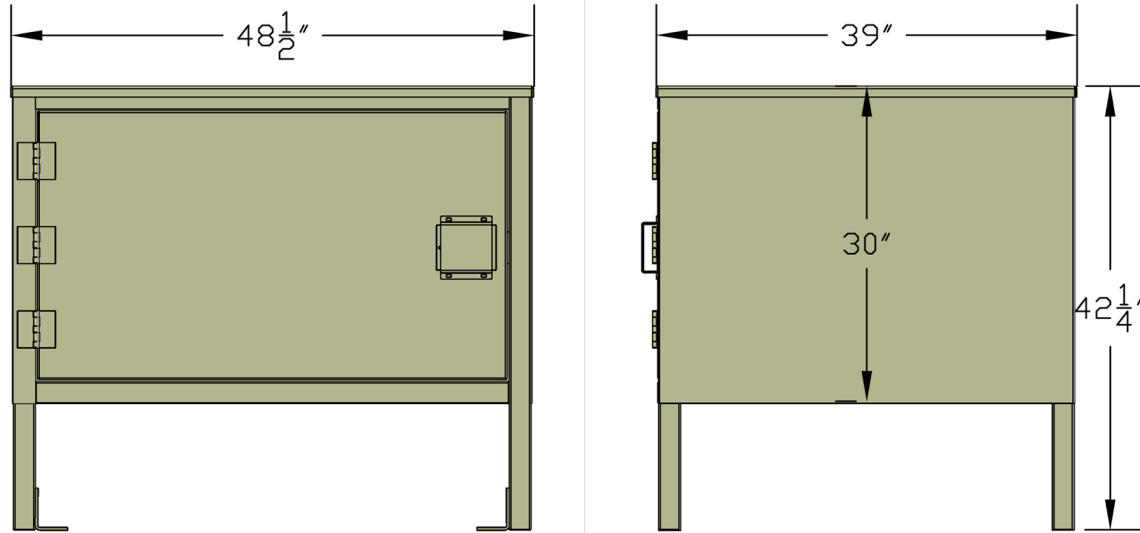




Bearicuda 30 Cubic Foot, Metal Bear-Resistant, Food Storage Locker (LOC103)



This 30 cubic foot storage locker is a quality metal enclosure, and designed for safe and convenient food storage in campgrounds, picnic areas, and trailheads. It is designed to have enough room to fit two large coolers and still leave plenty of space to spare for dry goods. The doors are easy to operate and open wide for easy access. They may be shut by just swinging them closed. The door hinges are heavy duty steel for corrosion resistance and longevity. The bear-proof storage locker comes powder coated for superior corrosion resistance and protection. The Bearicuda Food Storage Lockers are Certified Bear Resistant by the Interagency Grizzly Bear Committee. An optional locking hasp is available. See website for complete list of available colors. All Bearicuda products are made in America at our facility.

Installation Instructions

Four each 3/8" x 4" long wedge anchors, 3/8" flat washers, and 3/8" hex nuts are required for mounting.

1. Lay out the location of the anchor bolts in the desired location according to the dimensions shown.
2. Using a 3/8" diameter carbide drill bit, drill the four holes to any depth exceeding the desired embedment. A minimum depth of 3" is recommended.
3. Clean drill fines from hole.
4. Assemble washer and nut, leaving nut flush with end of the anchor to protect threads. Drive each anchor into a hole. Once the recommended depth of 3" is achieved, hand tighten the nut until the washer is flush to surface of the concrete.
5. Expand the anchor by tightening the nut 3-5 turns past the hand tight position, or to the specified torque requirement.
6. Remove the nuts and washers from the anchors.
7. Place the storage locker over the anchors and reinstall the washers and nuts.

