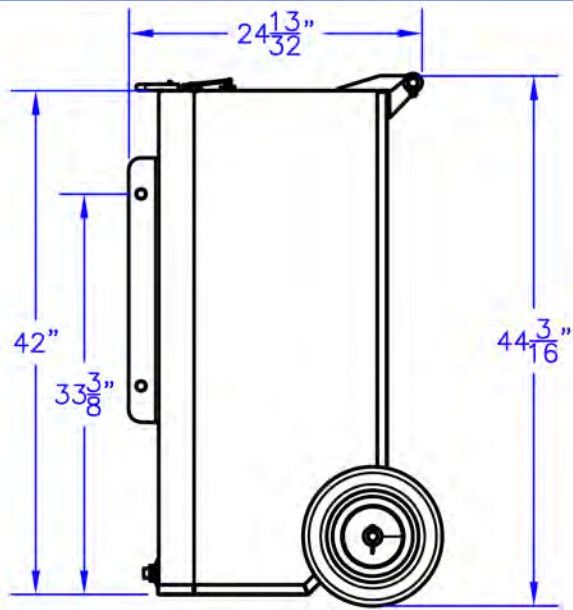


FRONT VIEW



RIGHT VIEW

## 64 Gallon Bear Proof Roll-Away Cart

Heavy duty 64 gallon animal resistant receptacle designed for mobile, safe, secure and convenient waste disposal.

Features Include:

1. Locking Hasp with Latch Hook & Cable.
2. Paddle Latch with Safety Release & Cover.
3. Interior Bag Support Tray option.
4. Front Drain, Bottom Drain, No Drain option.

Made in America with heavy duty components, hinges and high quality 14-gauge steel for the main Body and Lid.

Vibrant finish using industry leading UV and corrosion resistant, weather proof powder coat offered in the standard colors shown:



# TITAN

METAL ANIMAL PROOF TRASH BIN

FOREST GREEN



BLUE



GRAY



BURGUNDY



TAN



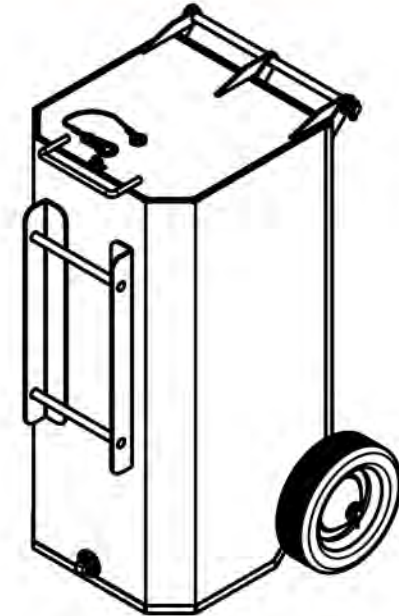
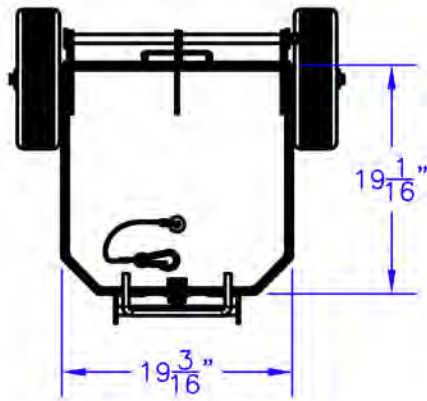
WHITE



BROWN

ISOMETRIC VIEW





# TITAN

METAL ANIMAL PROOF TRASH BIN

