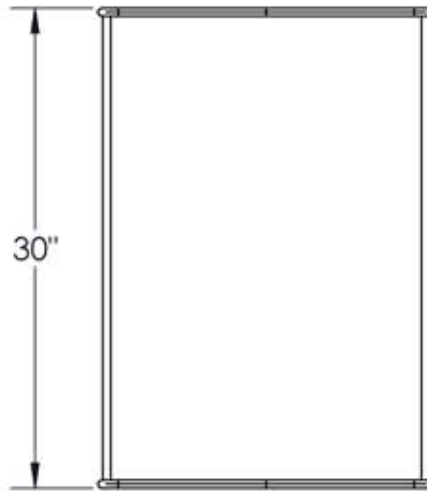
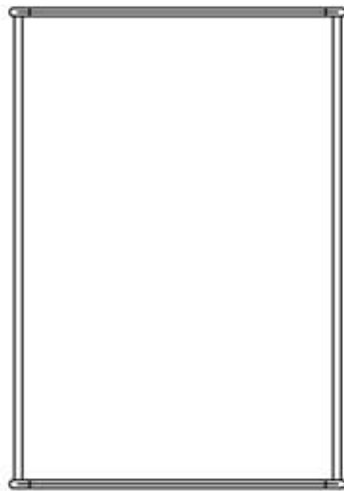
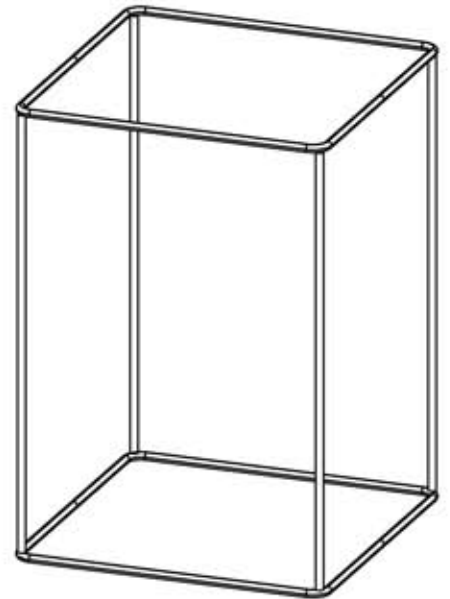
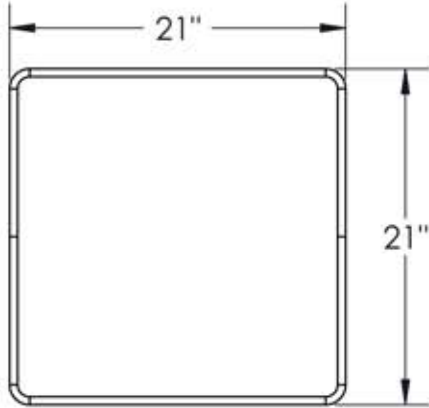


**NYC ROD TRASH LINER INSERT
FOR 13408-001 TRASH RECEPTACLE**

- MADE OF 1/2" DIA. A36 STEEL ROD
- POWDER COATED FINISH
- ESTIMATED WEIGHT = 15LBS



CUSTOMER APPROVAL :

DATE :



THIS DRAWING, WHICH CONTAINS PROPRIETARY INFORMATION, IS THE PROPERTY OF BEARICUDA ADVANCED PRODUCTS CORPORATION. IT SHALL NOT BE REPRODUCED IN ANY MANNER NOR DISCLOSED TO THIRD PARTIES WITHOUT WRITTEN PERMISSION OF BEARICUDA INC.

DATE : 3/9/15

PRODUCT PART NUMBER :

REV. NO. B

PRODUCT DESCRIPTION :

NYC ROD TRASH LINER INSERT ASSY.

BEARICUDA, INC
PO BOX 56
3 WEST STREET, SUITE 3E
LITCHFIELD, CT 06759-0056

PHONE: 877.232.7428

WEBSITE: WWW.BEARICUDA.COM