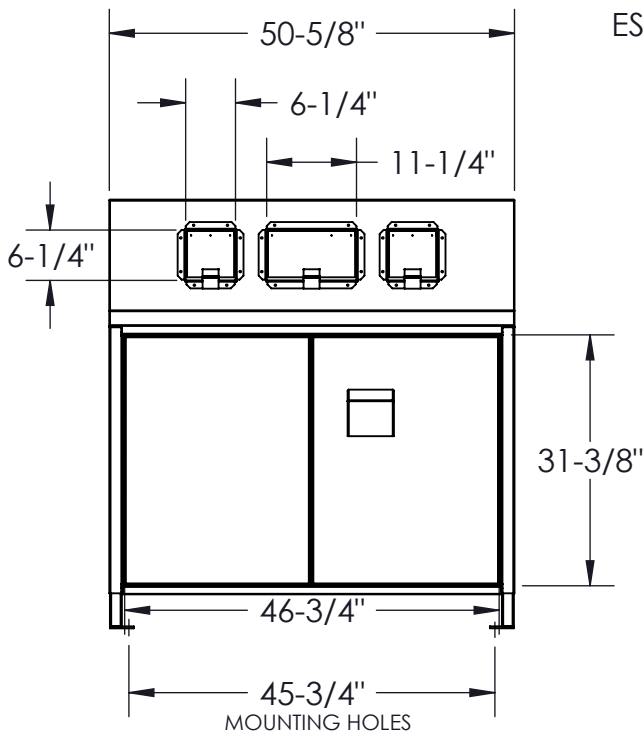


## MODEL REC108 120 GALLON CAPACITY ANIMAL RESISTANT RECYCLE BIN

- Uses three 40 gallon trash cans.
- ADA compliant.
- Easy access top loading chutes.
- Front service doors for easy trash can removal.
- Service door hasp for locking option..

### Mechanical Specifications

- Door hinges are heavy duty stainless steel for superior corrosion resistance and longevity.
- Animal resistant internal single point self latching system on service doors.
- Welded 14 gauge construction.
- 1/4" mounting plates bored to fit 1/2" bolt. (see dimensions shown below).
- Powder coated for superior corrosion protection. Available in Forest Green, Blue, Brown, and Gray



EST. WT. 300lbs

