



SHD808

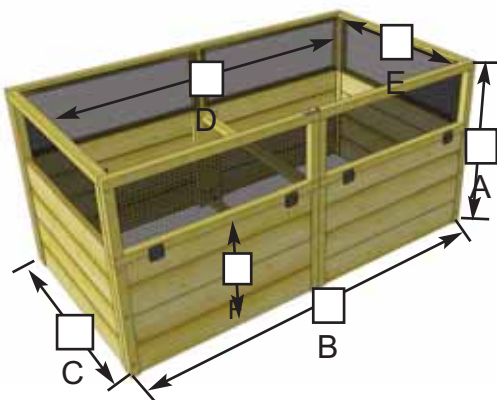
## 6'X3' Raised Garden Bed Assembly Manual

Thank you for purchasing a 6' x 3' Raised Garden Bed. Please take the time to identify all the parts prior to assembly.

Please use Safety Eyewear and Gloves while Assembling. Be sure to read and follow all operating instructions for any tools used during assembly. Remember- NO SAW CUTTING IS REQUIRED!

### Safety Points and Other Considerations

Please follow this instruction manual when assembling your Raised Garden Bed and retain the manual for future maintenance purposes.



### Raised Garden Bed Dimensions:

- A: Height = 33 1/2"
- B: Outside Width = 72"
- C: Outside Depth = 39"
- D: Inside Width = 69"
- E: Inside Depth = 36"
- F: Height to Bottom of Screen = 20"

Estimated Assembly Time for the  
Raised Garden Bed = 1 Hour.

In the event of a missing or broken piece, simply call the 6 YUf]W XU-bW Customer Support Line @ 1-8-++!&' &!+( &, within 30 days of the delivery of your purchase. It is our commitment to you to courier replacement parts, free of charge, within 10 business days of this notification. Replacement parts will not be provided free of charge after the 30 day grace period.

# Exploded View and Parts List for 6'x3' Raised Garden Bed

## Parts List

### Panel Section

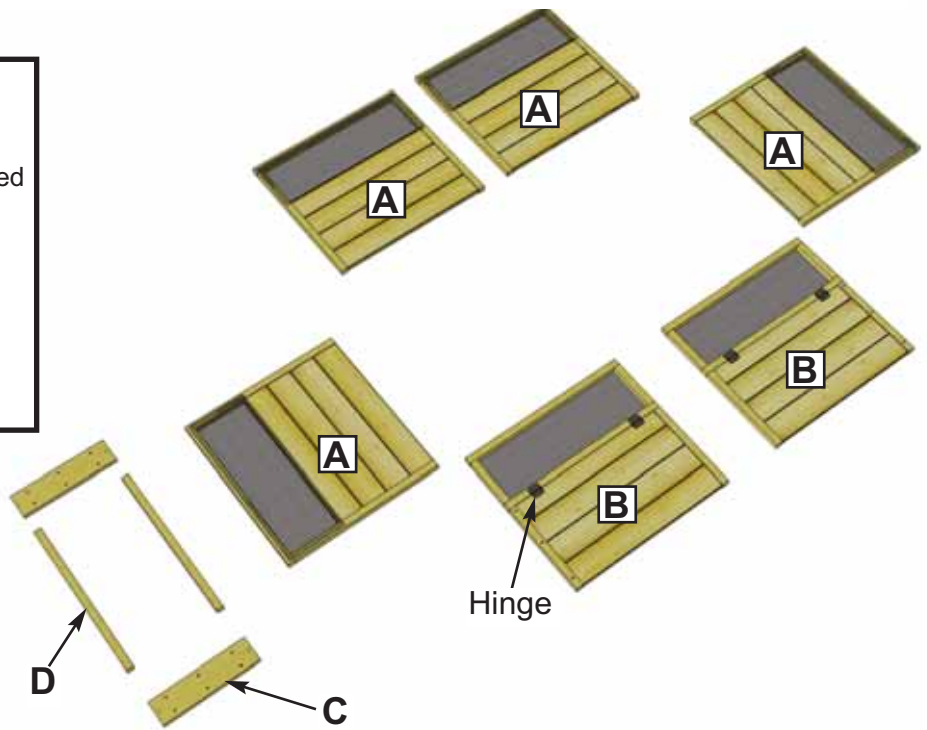
**Part A** 4 - Side/Rear Panels  
36" wide x 33 1/2" high

**Part B** 2 - Front Panels with Upper Hinged Sections  
36" wide x 33 1/2" high

### Rib Section

**Part C** 2 - Bed Rib Connecting Plates  
1 1/8" thick x 5 1/2" wide x 20" high

**Part D** 2 - Bed Rib Frames  
1 1/2" thick x 1 1/2" wide x 33 7/8" long




## Hardware Kit (Provided) Note: screws shown as actual size.

2 1/2"  x 30 pcs

2"  x 12 pcs

1"  x 8 pcs

3/4"  x 6 pcs

 x 1 pc  
Square Drive Bit



Silver Barrel Bolt



Eye Hook



Bracket

## Tools Required (Not Provided)



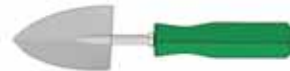
Screw Gun/Drill



Tape Measure



Level



Shovel



1/8" Drill Bit

## Safety Equipment Required (Not Provided)



Safety Glasses



Work Gloves

# Important Information for Homeowner

## Selecting a Location - Garden Setting or Patio

Walk around your property and make notes of the following:

- sunny spots
- slope of the land
- light blocking trees and high buildings.

Don't hide your Raised Bed away in a dark corner.

Ensure it has easy access to it.

Place your Raised Bed on a level piece of land with good drainage. Take into account existing paths and utilities such as electricity and water.

Having a water supply at hand avoids carrying heavy watering cans from the tap to the plant.

## Preparing the Ground for a Garden Setting

Dig ground beneath the raised bed prior to assembly. Your new Raised Garden Bed will be open on the bottom which enables plant roots to access soil nutrients below ground level.

Add amendments to improve the subsoil. Once the ground plot has been dug and cleared of rocks, add peat moss and lime to balance the subsoil.

Lay down a sand perimeter base for the Raised Bed to sit on.

Lay down a 74" x 39" perimeter base 6" wide and 2" deep of sand for the Raised Bed Panels to sit on. The sand will provide good water drainage and prevent the Western Red Cedar wood from rotting prematurely.

## Patio Setting

The Raised Bed can also be located on almost any flat surface - sand, pebbles/gravel, concrete or asphalt. Preparing the soil and the sand base beneath the Raised Bed will not be necessary. Consider lining the Raised Bed with landscape fabric to prevent soil from seeping out. Twenty inches of soil should be plenty for most types of vegetables and flowers. Please check growing instructions for root depths prior to planting.

## Once the Raised Bed is Assembled - Add Soil

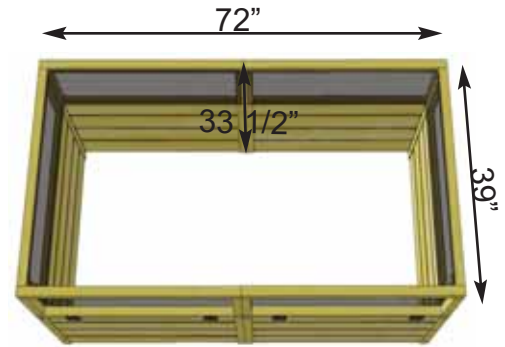
You will need approximate **1 cubic yard of quality soil**. (2/3 Topsoil to 1/3 Compost works well).

Mix thoroughly. Fill the Raised Bed to within a few inches of the top of the wood framing (the start of the metal screening).

Add soil within two weeks of planting. Fertilizer may be required. Check with your local garden growing expert before adding any fertilizer!

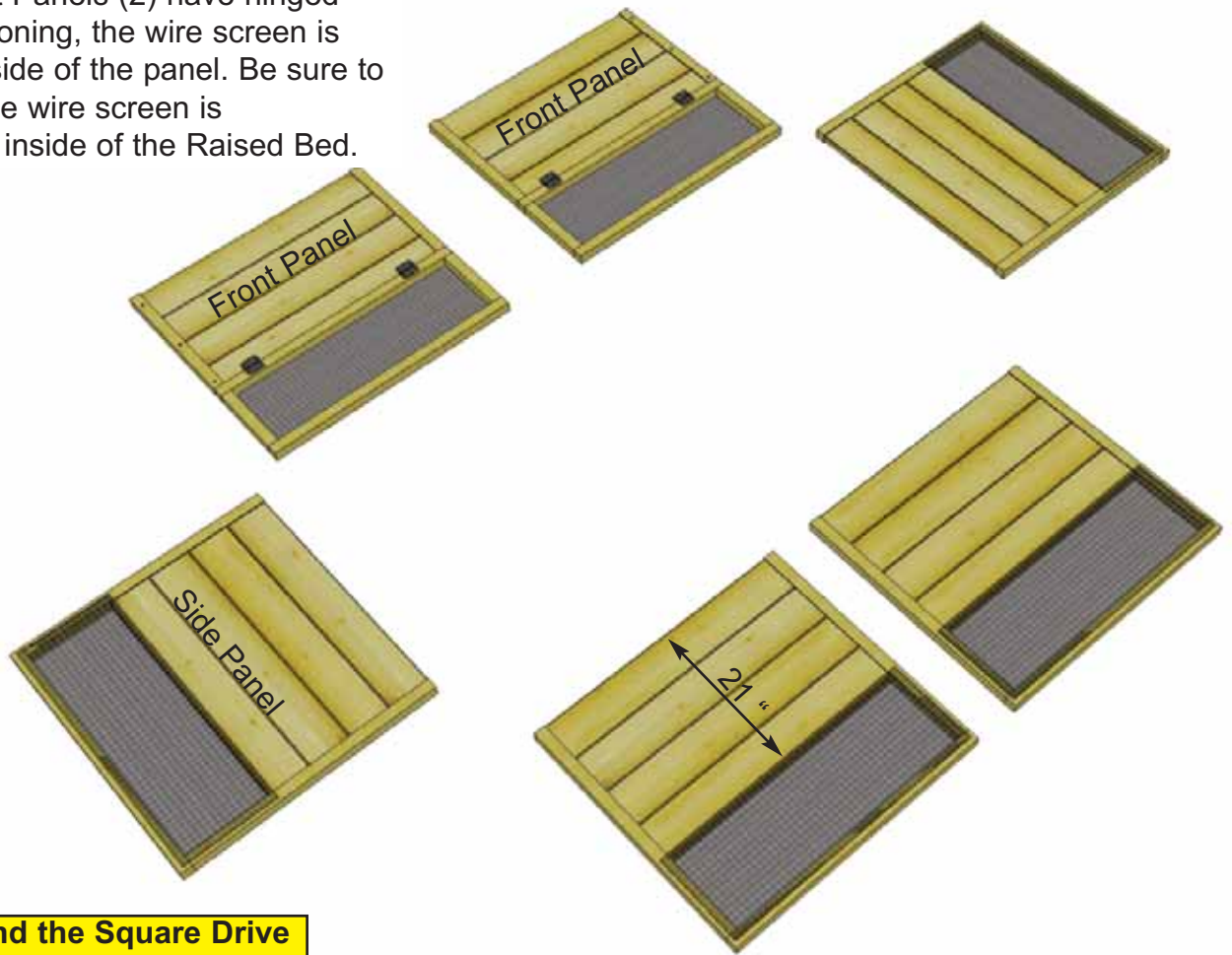
## Arranging and Planting Crops

Since requirements vary from region to region on how to arrange and plant crops, we recommend researching thoroughly before planting.

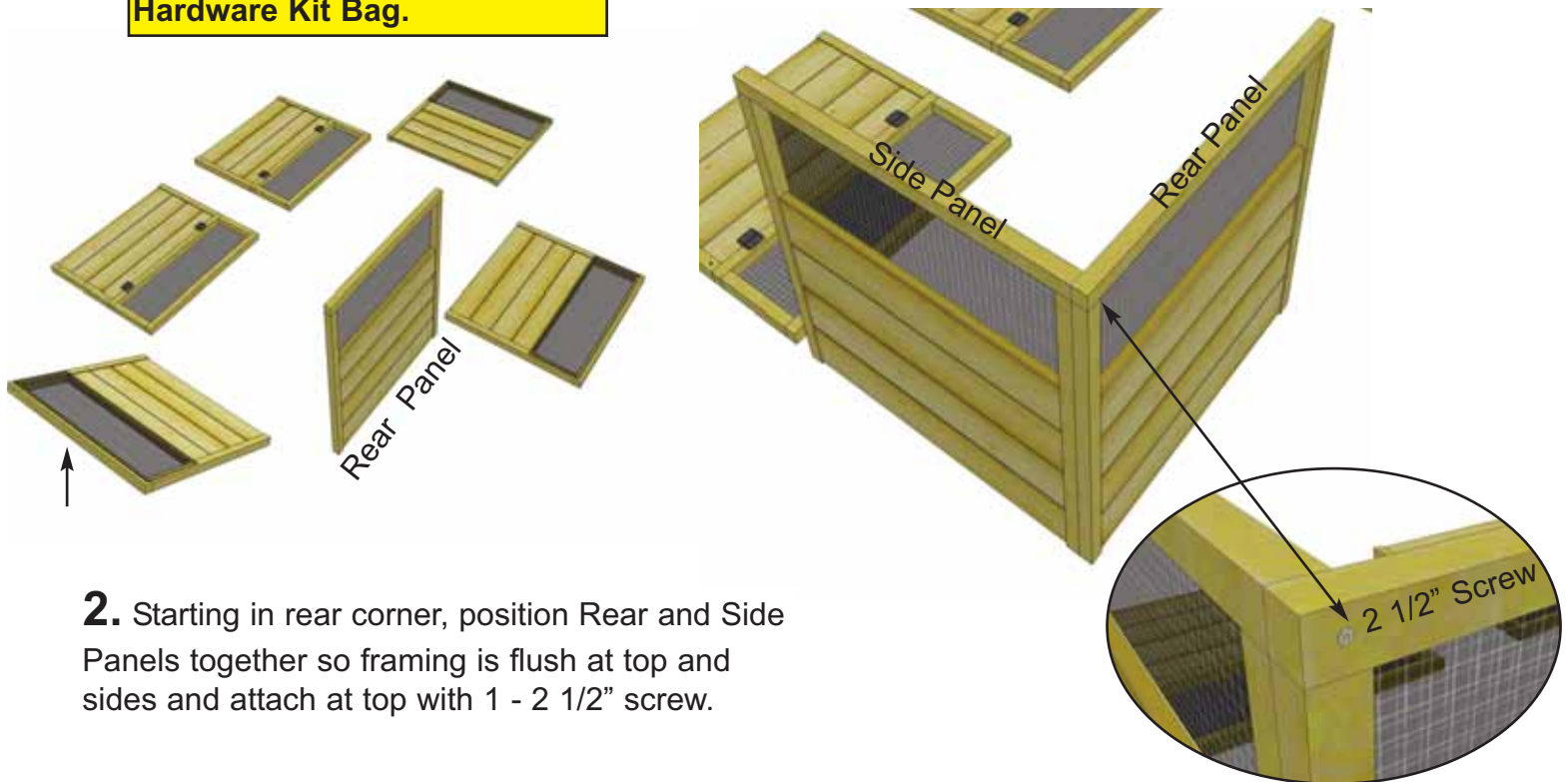


**1.** Orientate Panels as illustrated below.

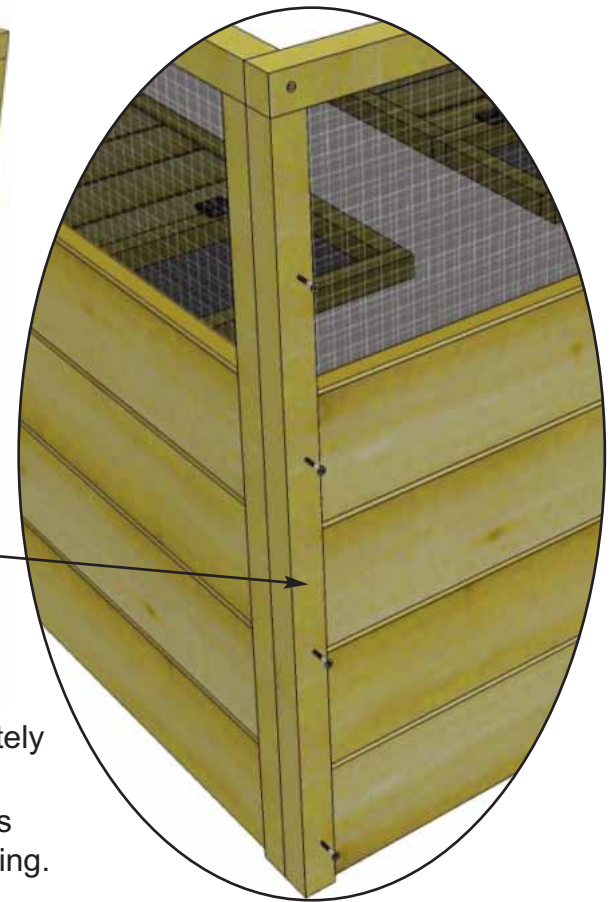
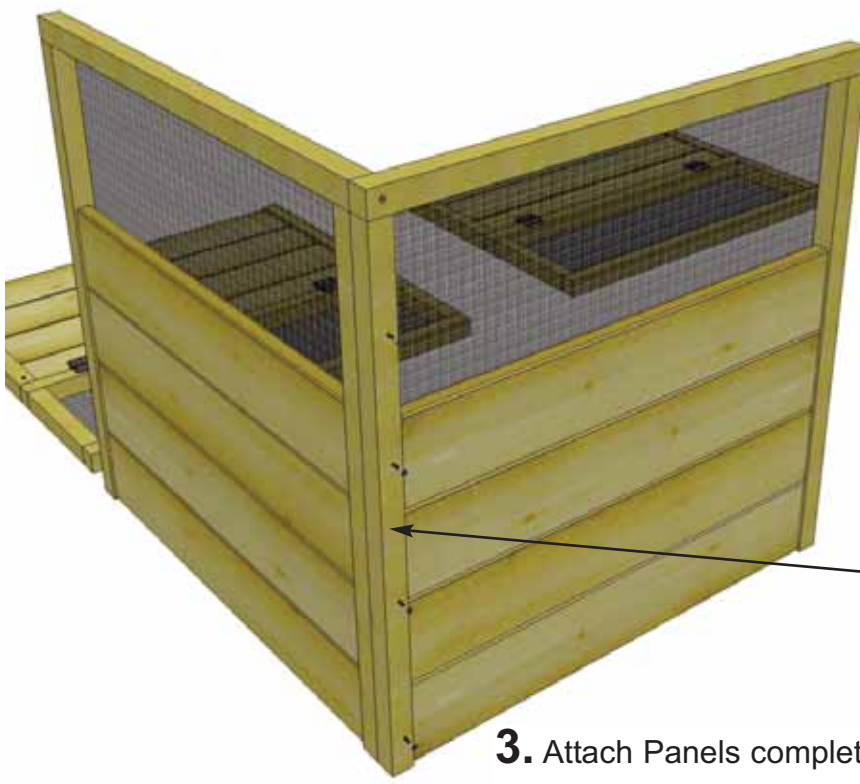
Note that **Part A** - Side/Rear Panels are solid and **Part B**- Front Panels (2) have hinged tops. When positioning, the wire screen is stapled on the inside of the panel. Be sure to align panels so the wire screen is positioned on the inside of the Raised Bed.



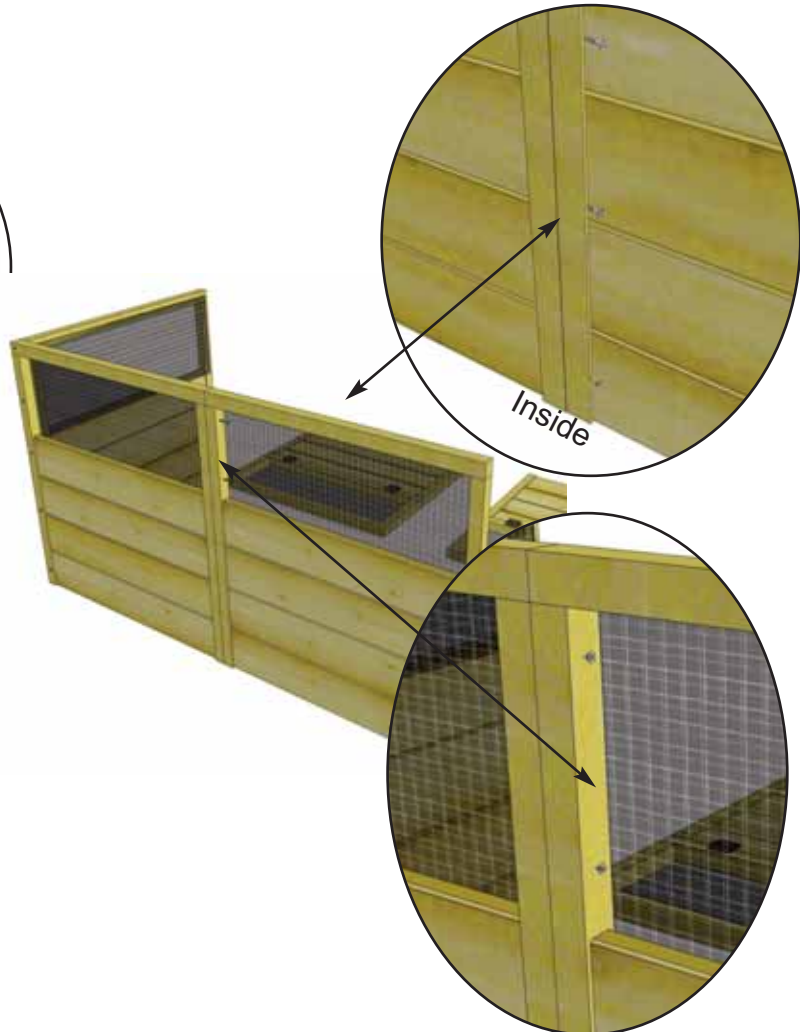
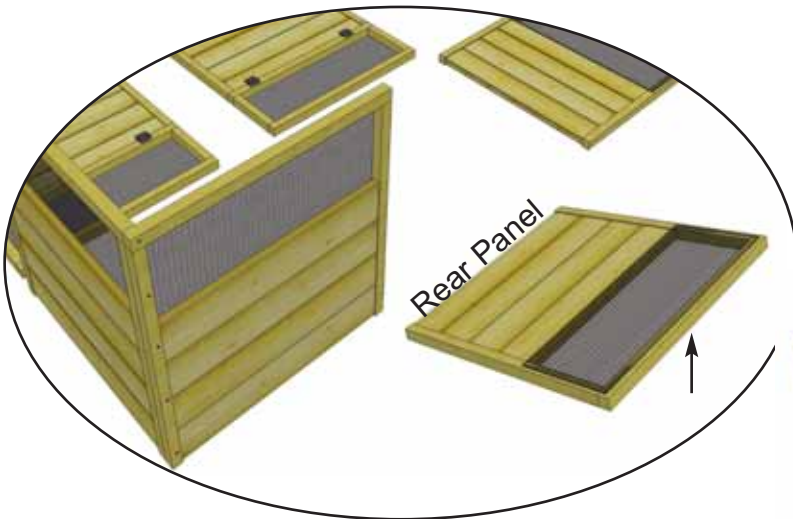
You can find the Square Drive Bit for the screws in with the Hardware Kit Bag.



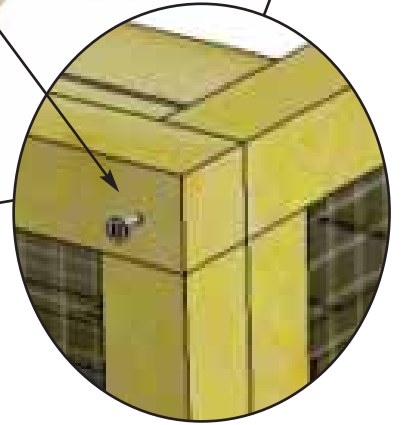
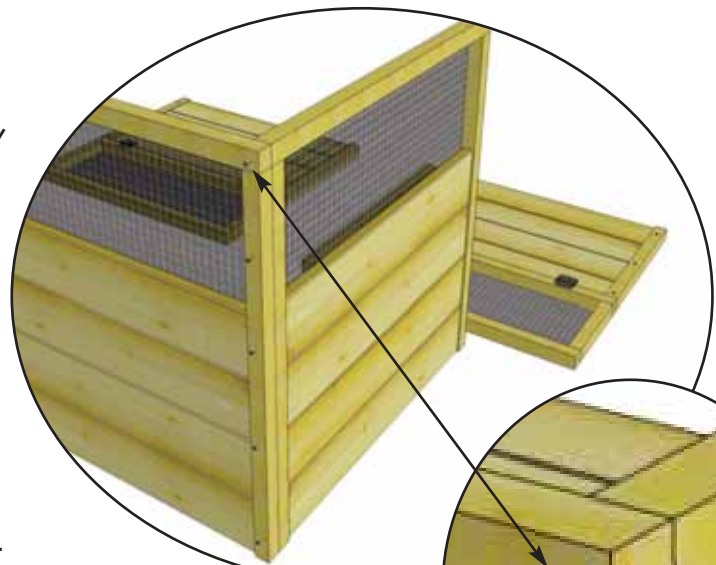
**2.** Starting in rear corner, position Rear and Side Panels together so framing is flush at top and sides and attach at top with 1 - 2 1/2" screw.



**3.** Attach Panels completely together using 4 - 2 1/2" screws. Make sure Panels are aligned prior to screwing.

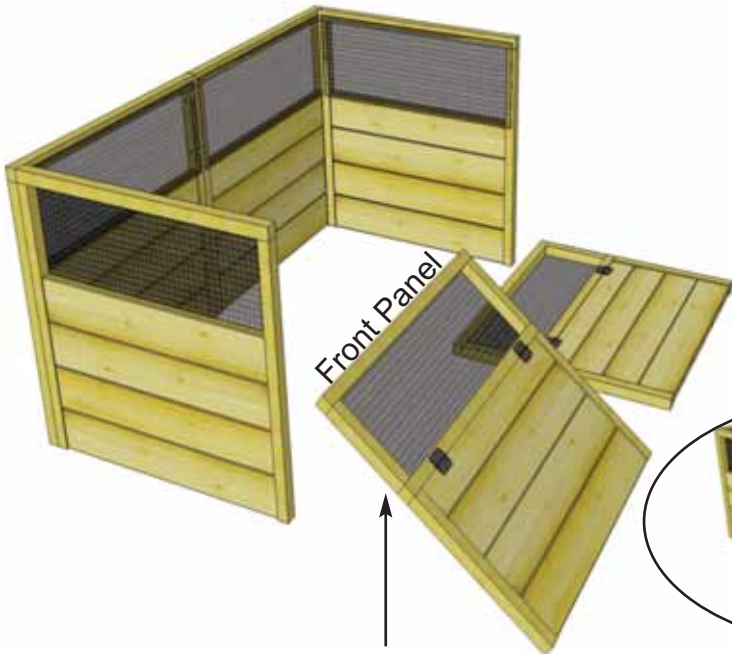


**4.** Align and attach 2nd Rear Panel Frames together making sure framing is aligned at top and sides. Use 2 - 2 1/2" screws in the upper screen frame area as illustrated. From the inside, angle screw 3 - 2 1/2" screws into panel framing to secure.



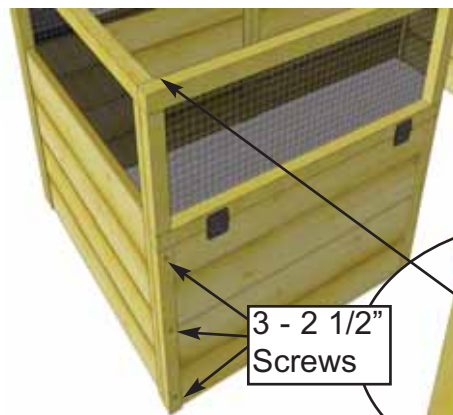
**5.** Align and attach Side Panel as per **Step 2**.  
Use 5 - 2 1/2" screws to secure.

**Note;** Be careful, Front Panel has a hinged top that can release and pinch fingers and hands until Eyehook is attached in corner.

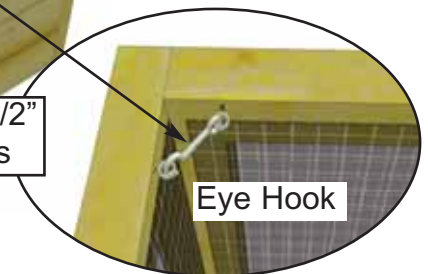


**6.** Align and attach Front Panel - **Part B** to Side Panel with 3 - 2 1/2" . Align panel framing together as **Step 2**. Screw only into Front Panel framing below the screen hinged top.

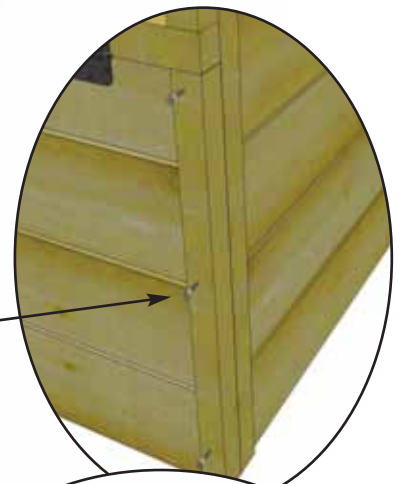
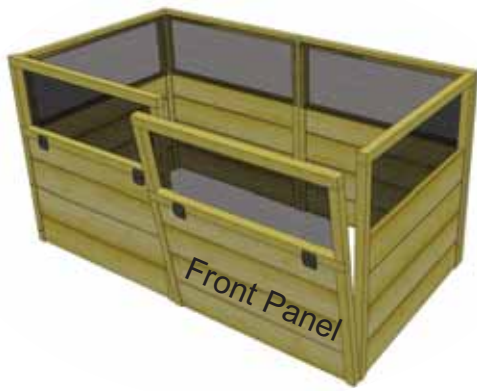
Attach Eyehook Hardware in the Front and Side Panels top framing. Pre-drill shallow 1/8" hole to make it easier to screw Eyehook in. Do a dry run prior to drilling holes to confirm fit.



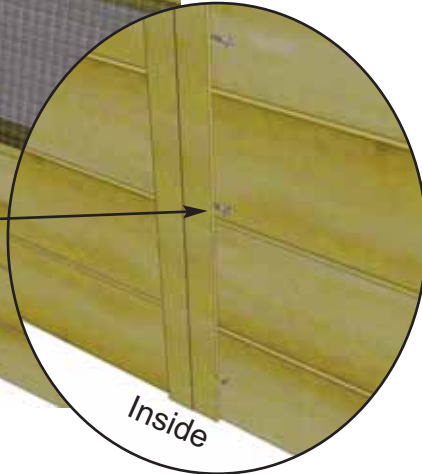
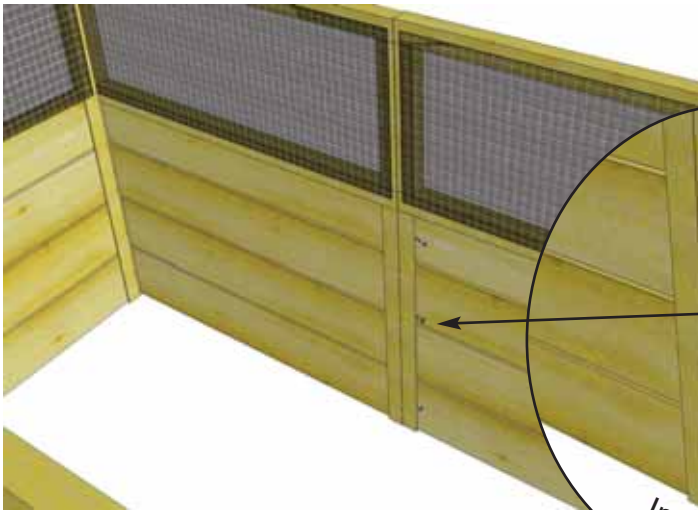
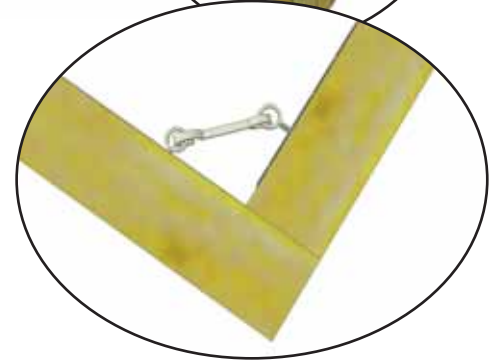
3 - 2 1/2"  
Screws



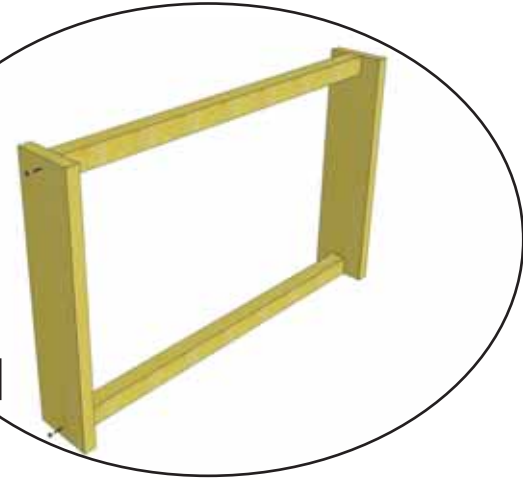
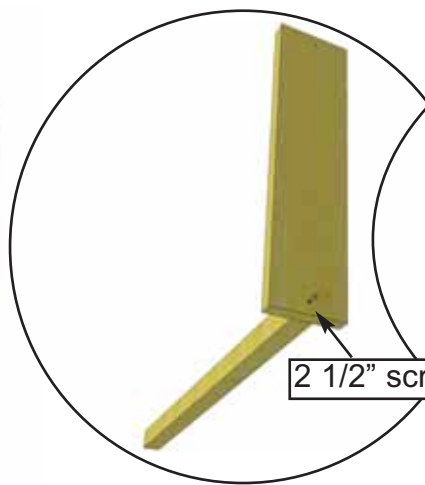
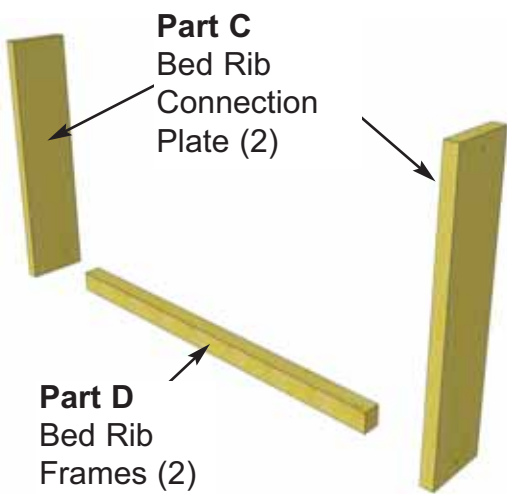
Eye Hook



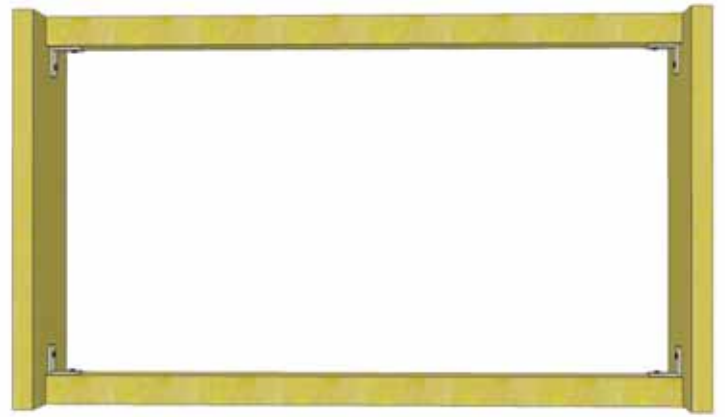
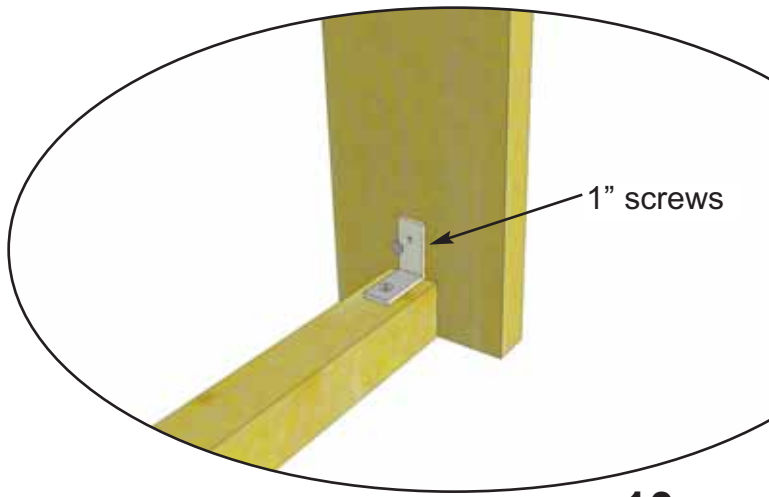
**7.** Align and attach 2nd Front Panel and Eyehook as per **Step 6**. Use only 3 - 2 1/2" screws below the screen hinged top framing.



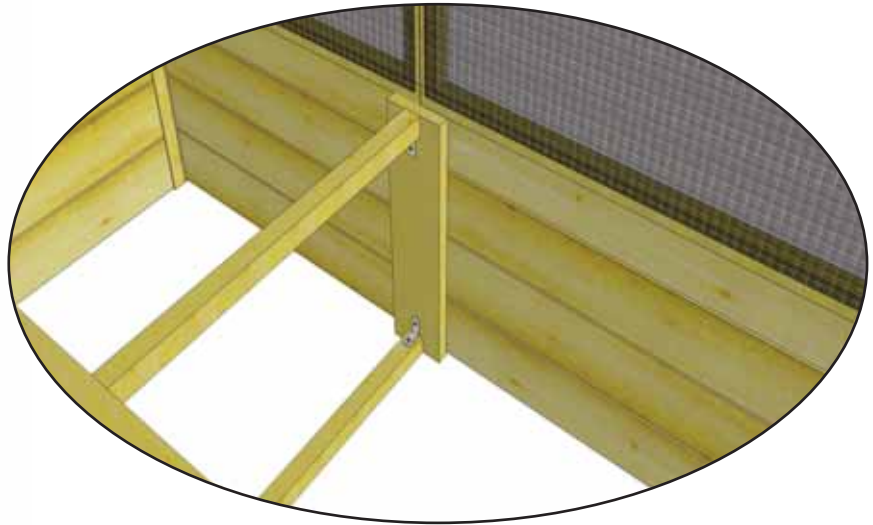
**8.** From the inside, angle screw 3 - 2 1/2" screws into panel framing to secure Front Panels.



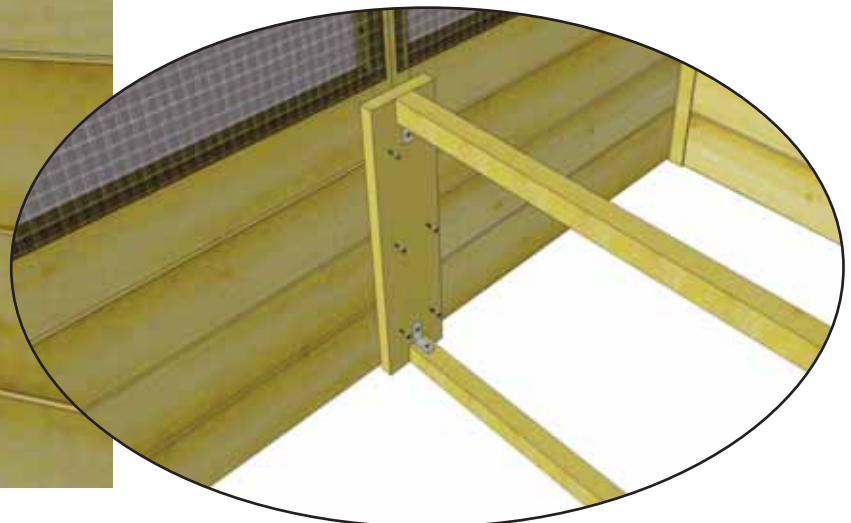
**9.** Locate Bed Rib Connection Plates (2) - **Part C** and both Bed Rib Frames (2) - **Part D**. On a level flat surface, screw Connection Plate and Frame together with 1 - 2 1/2" screw. Connection Plate is pre-drilled. Align so Plate and frame are flush at bottom. Complete both sides. Attach 2 Bed Rib Frames as illustrated above.



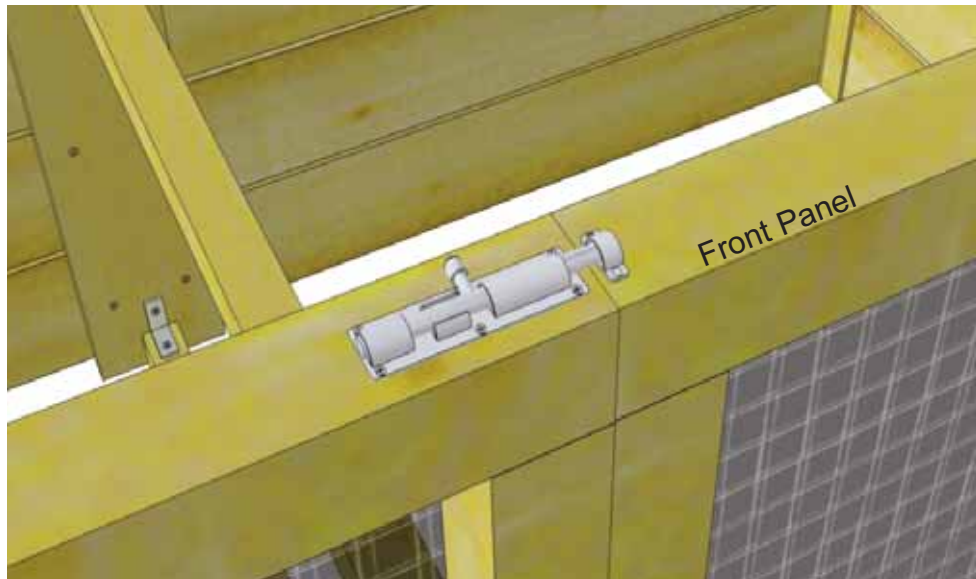
**10.** Locate Brackets (4). Position Brackets in each corner and secure with 2 - 1" screw per Bracket.



**11.** Lift and position completed Bed Rib between Front and Rear Panels at the mid point. Align with bottom of panels and centered on framing. Secure with 6 - 2" screws per plate. **Important-** be sure to screw into panel framing.







**12.** Attach Barrel Bolt to top of Front Panel framing. Pre-drill shallow 1/8" holes to prevent wood from splitting. Do a dry run first to confirm screw alignment before completely securing.



**13.** To access your Raised Garden Bed, open the Barrel Bolt and Eyehook in corner(s) to release the screened hinged panel. Be sure to close when your finished to keep dogs and pesky critters out!

We hope your experience constructing our **6'x3' Raised Garden Bed** has been both positive and rewarding. We value your feedback and would like to hear back from you on how well we are doing in the following areas:

1. Customer Service
2. On Time Shipping
3. Motor Freight Delivery
4. Quality of Materials
5. Assembly Manual
6. Overall Satisfaction.



The materials contained in this Assembly Manual may be downloaded or copied provided that ALL copies retain the copyright and any other proprietary notices contained on the materials. No material may be modified, edited or taken out of context such that its use creates a false or misleading statement or impression as to the positions, statements or actions.

Please call, write or email us at:

Bearcuda, Inc  
 PO Box 56, 3 West Street, Suite 3E  
 Litchfield, CT 06759-0056  
 Phone: 1-877-232-7428  
 Fax: 1-860-361-6442  
 web address: [www.bearicuda.com](http://www.bearicuda.com)